

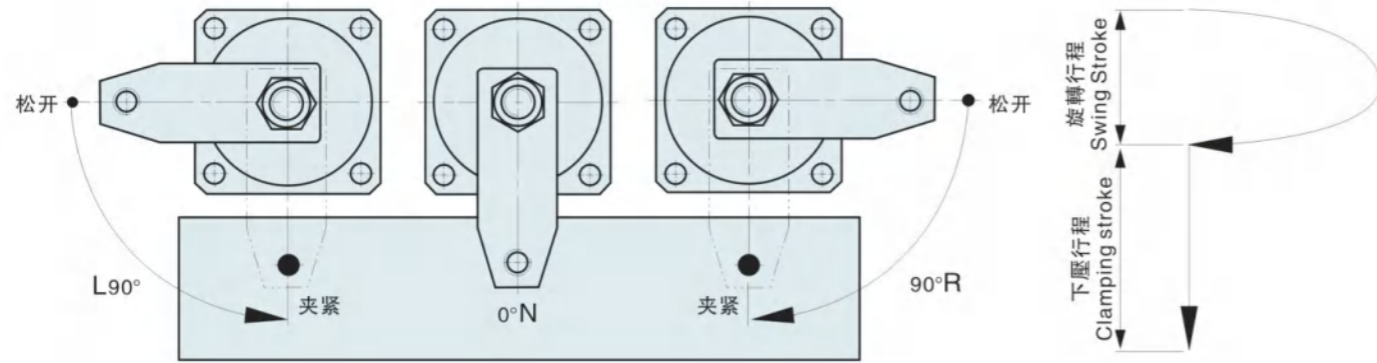
RS/HSC油壓轉角缸 RS/HSC Hydraulic Swing Clamp Cylinder

●油缸內徑Φ25-Φ63 ●最大操作壓力70kg/cm² ●Bore of cylinder (mm) : Φ25-Φ63 ●Max pressure:70kg/cm²

單邊壓板旋轉示意圖

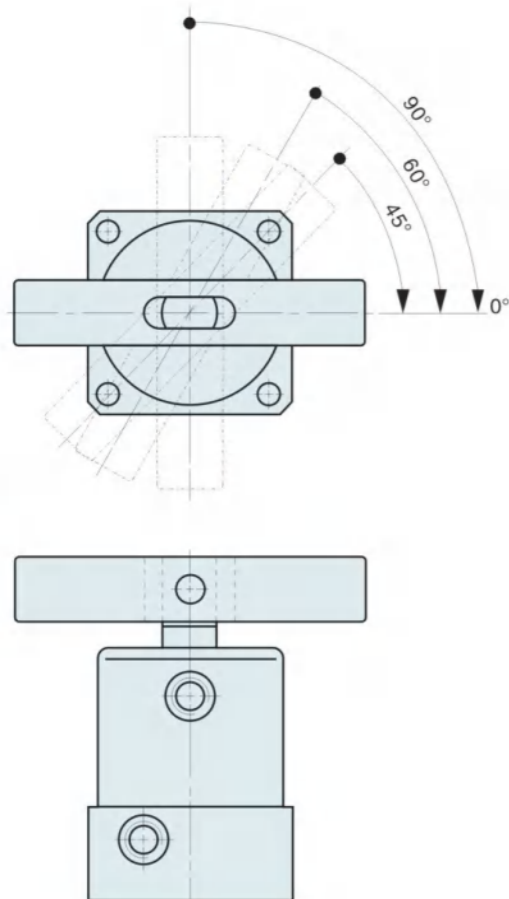
Single Side Swing Clamp

注：轉角方向是指下壓時轉角方向



雙邊壓板旋轉示意圖

Double Side Swing Clamp



壓板鎖緊操作方式

Clamping Arm Mounting Methods



壓板拆卸操作方式

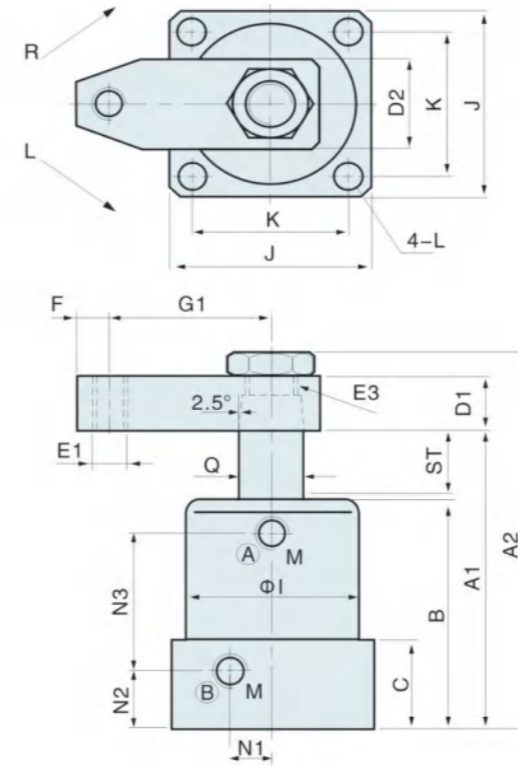
Clamping Arm Removing Methods



RS/HSC油壓轉角缸(配管式)RS/HSC Hydraulic Swing Clamp Cylinder Line type

●油缸內徑Φ25-Φ63 ●最大操作壓力70kg/cm² ●Bore of cylinder (mm) : Φ25-Φ63 ●Max pressure:70kg/cm²

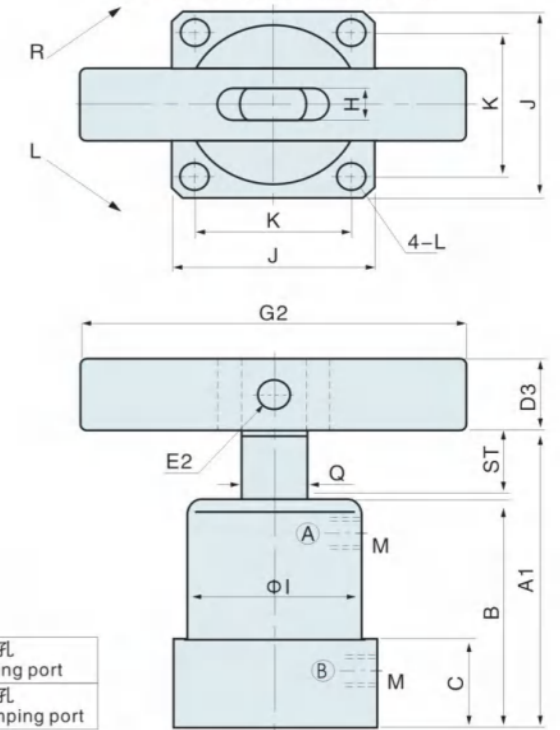
Single side swing clamp



A 夹持油孔
Clamping port
B 放鬆油孔
Unclamping port

Double side swing clamp

注：下圖為轉角90° 鬆開狀態



外形尺寸表 Dimension table

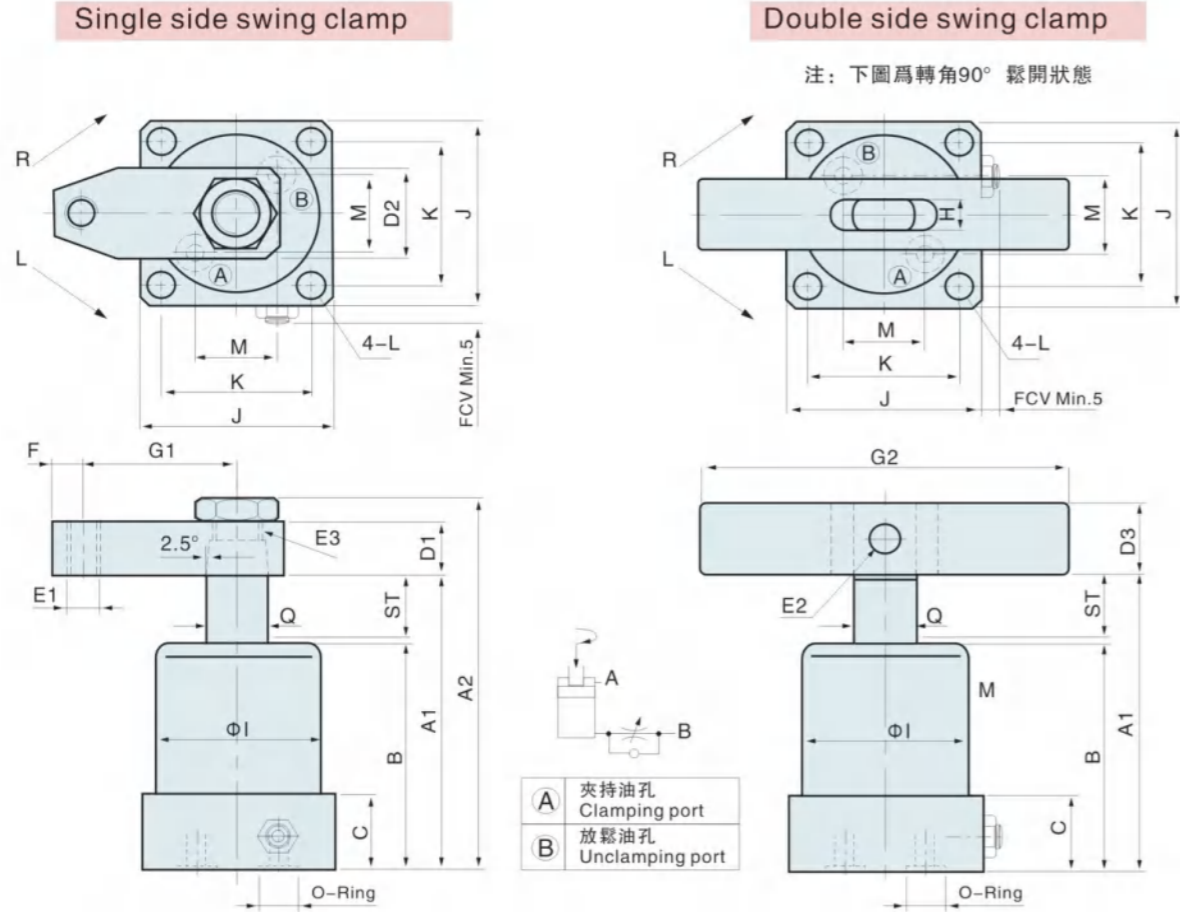
可定制80-150内径转角缸详情来电咨询

單位 (Unit) : mm

ITEM	MODEL	RS/HSC-25	RS/HSC-32	RS/HSC-40	RS/HSC-50	RS/HSC-63
ST:Swing/Clamping		22:9/13	26:11/15	41:11/30	26:11/15	41:11/30
A1鬆開狀態 Unclamp	RS	104	118	148	123	153
	HSC	101	115	145	120	150
A2鬆開狀態 Unclamp	RS	(127)	(144)	(175)	(150)	(180)
	HSC	124	140	170	148	178
B		76	85	100	90	105
C		27	30	30	34	34
D1		16	18	18	20	23
D2		27	31	31	37	48
D3		□19	□22	□22	□25	□32
E1		M10	M10	M10	M12	M16
E2		Φ8	Φ8	Φ10	Φ12	Φ15
E3		M14×1.5	M16×1.5	M18×1.5	M20×1.5	M24×2
F		10	10	10	12	15
G1		50	55	60	65	75
G2		140	160	160	180	200
H		9	10	10	12	15
ΦI		Φ46	Φ50	Φ54	Φ66	Φ80
J		52	56	63	72	88
K		40	44	48	57	70
L		Φ6.8	Φ6.8	Φ9	Φ9	Φ11
M		PT1/8	PT1/8	PT1/8	PT1/4	PT1/4
N1		8	10	12	15	17
N2		17	19	19	21.5	22
N3		46	52	67	57	72
Q		Φ18	Φ20	Φ22.4	Φ28	Φ35.5

RS/HSC油壓轉角缸(MF油路板型附調速)
RS/HSC Hydraulic Swing Clamp Cylinder MF Manifold wit flow control

●油缸內徑Φ25-Φ63 ●最大操作壓力70kg/Cm² ●Bore of cylinder (mm) Φ25-Φ63 ●Max pressure: 70kg/Cm²



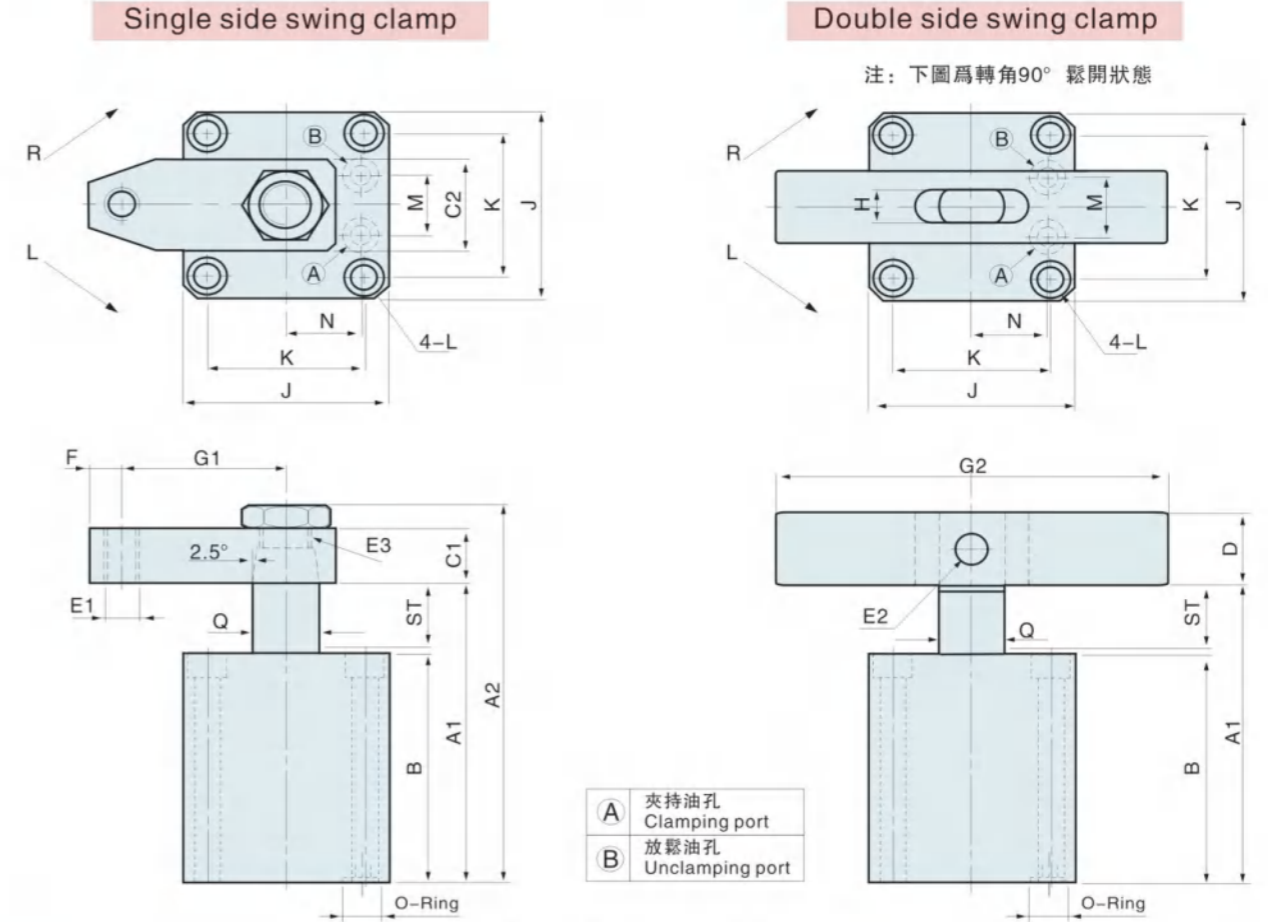
外形尺寸表 Dimension table

單位 (Unit) :mm

ITEM	MODEL	RS/HSC-MF25	RS/HSC-MF32	RS/HSC-MF40	RS/HSC-MF50	RS/HSC-MF63
ST:Swing/Clamping		22:9/13	26:11/15	41:11/30	26:11/15	41:11/30
A1鬆開狀態 Unclamp	RS	104	118	148	123	153
	HSC	101	115	145	120	150
A2鬆開狀態 Unclamp	RS	(127)	(144)	(175)	(150)	(180)
	HSC	(124)	(140)	(170)	(148)	(178)
B		76	85	100	90	105
C		22	25	25	30	30
D1		16	18	18	20	23
D2		27	31	31	37	48
D3		□19	□22	□22	□25	□32
E1		M10	M10	M10	M12	M16
E2		Φ8	Φ8	Φ10	Φ12	Φ15
E3		M14×1.5	M16×1.5	M18×1.5	M20×1.5	M24×2
F		10	10	10	12	15
G1		50	55	60	65	75
G2		140	160	160	180	200
H		9	10	10	12	15
ΦI		Φ46	Φ50	Φ54	Φ66	Φ80
J		55	57	63	72	88
K		42	44	48	57	70
L		Φ6.8	Φ6.8	Φ9	Φ9	Φ11
M		19	21	23	28	32
O-Ring		P7	P7	P9	P9	P9
Q		Φ18	Φ20	Φ22.4	Φ28	Φ35.5

RS/HSC油壓轉角缸(M油路板型)RS/HSC Hydraulic Swing Clamp Cylinder M Manifold type

●油缸內徑Φ25-Φ50 ●最大操作壓力70kg/Cm² ●Bore of cylinder (mm) Φ25-Φ50 ●Max pressure: 70kg/Cm²



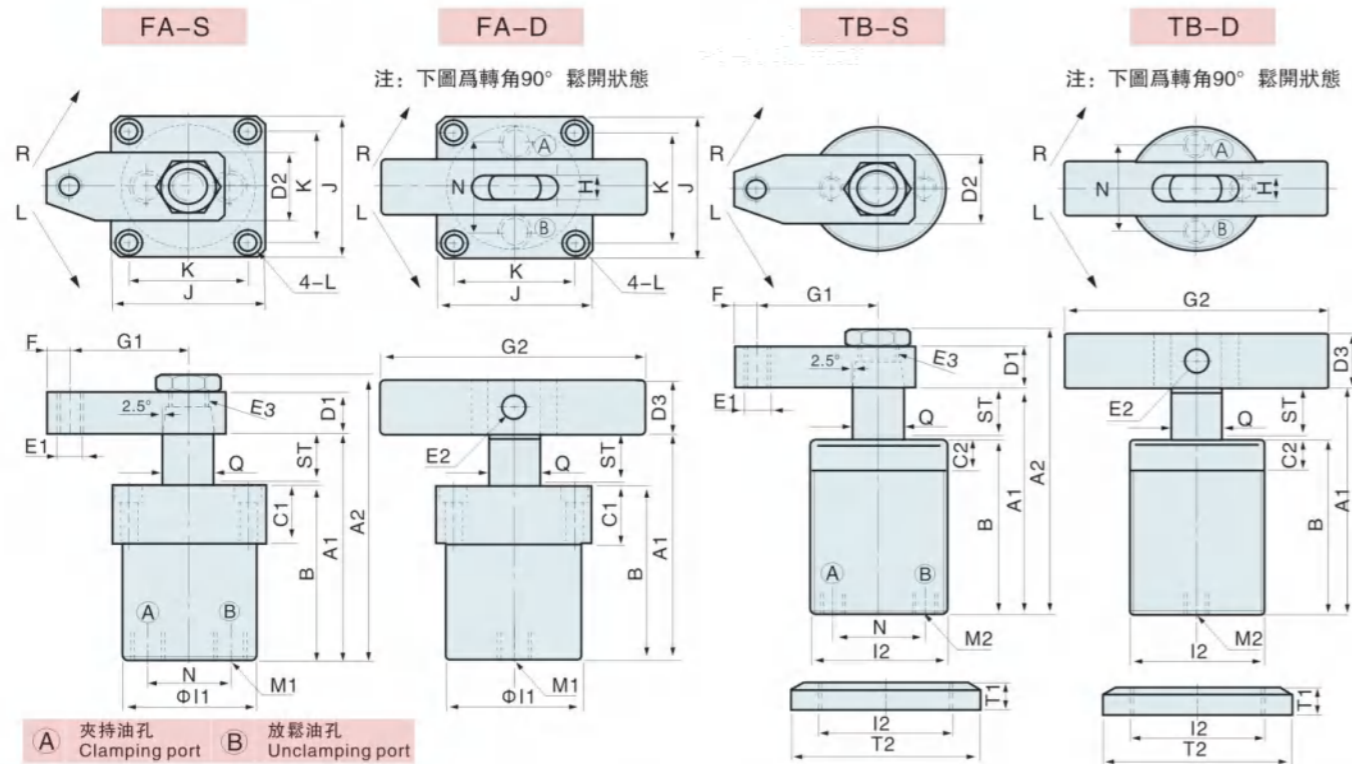
外形尺寸表 Dimension table

單位 (Unit) :mm

ITEM	MODEL	RS/HSC-M25	RS/HSC-M32	RS/HSC-M40	RS/HSC-M50	HSC-M63
ST:Swing/Clamping		22:9/13	26:11/15	26:11/15	30:13/17	30:13/17
A1鬆開狀態 Unclamp	RS	104	118	123	137	139
	HSC	101	115	120	134	139
A2鬆開狀態 Unclamp	RS	(127)	(144)	(150)	(167)	(178)
	HSC	(124)	(140)	(148)	(166)	178
B		76	85	90	100	105
C1		16	18	18	20	23
C2		27	31	31	37	48
D		□19	□22	□22	□25	□31.8
E1		M10	M10	M10	M12	M16
E2		Φ8	Φ8	Φ10	Φ12	Φ15
E3		M14×1.5	M16×1.5	M18×1.5	M20×1.5	M27×1.5
F		10	10	10	12	15
G1		50	55	60	65	75
G2		140	160	160	180	200
H		9	10	10	12	15
J		55	57	69	75	96
K		42	44	52	58	75
L		Φ6.8-Φ10.5×6.5D	Φ6.8-Φ10.5×6.5D	Φ9-Φ13.5×9D	Φ9-Φ13.5×9D	Φ11-Φ18×11D
M		18	22	26	32	38
N		20	22	26	30	38
O-Ring		P7	P7	P8	P8	P10
Q		Φ18	Φ20	Φ22.4	Φ28	Φ35

RS/HSC油壓轉角缸(FA法蘭型/TB全牙型)
RS/HSC Hydraulic Swing Clamp Cylinder FA/TB Flange Type and Threaded Body

●油缸內徑Φ25-Φ63 ●最大操作壓力70kg/Cm² ●Bore of cylinder (mm) Φ25-Φ63 ●Max pressure: 70kg/Cm²



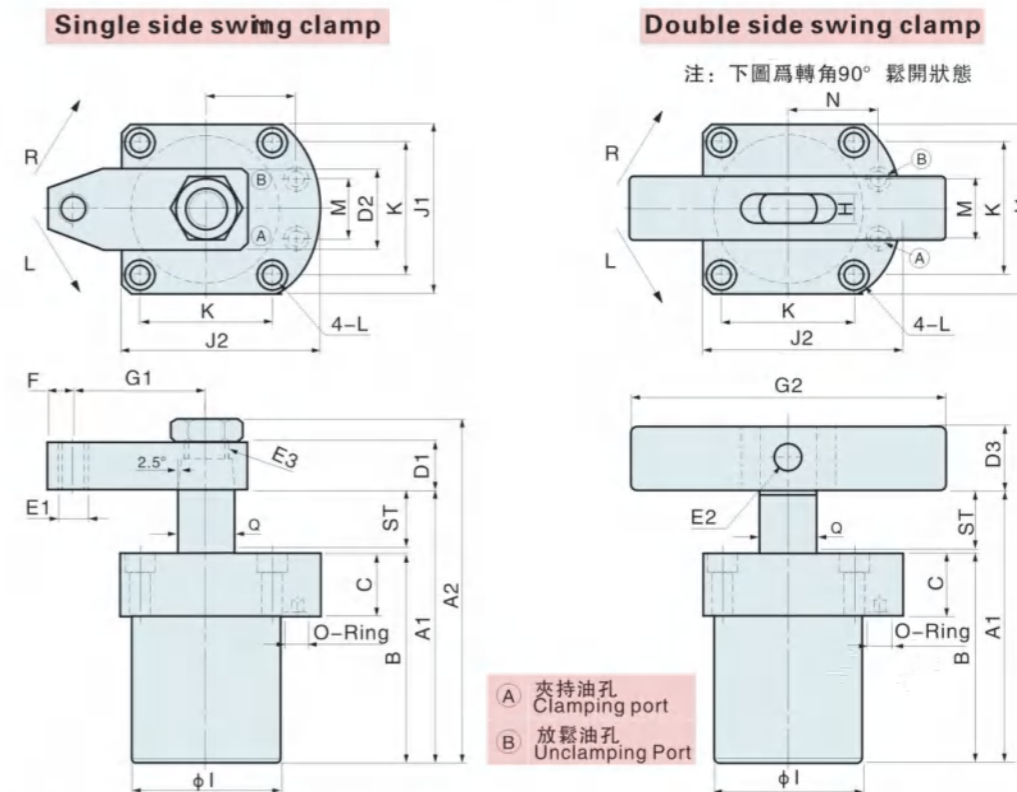
外形尺寸表 Dimension table

單位(Unit) : mm

ITEM	MODEL	RS/HSC-FA25 RS/HSC-TB25	RS/HSC-FA32 RS/HSC-TB32	RS/HSC-FA40 RS/HSC-TB40	RS/HSC-FA50 RS/HSC-TB50	RS/HSC-FA63
ST:Swing/Claming		22:9/13	26:11/15	26:11/15	30:13/17	30:13/17
A1鬆開狀態 Unclamp	RS	104	118	123	137	142
	HSC	101	115	120	134	139
A2鬆開狀態 Unclamp	RS	(127)	(144)	(150)	(167)	(177)
	HSC	(124)	(140)	(148)	(166)	(175)
B		76	85	90	100	105
C1		22	25	25	30	30
C2		12	12	15	15	-
D1		16	18	18	20	23
D2		27	31	31	37	48
D3		□19	□22	□22	□25	□32
E1		M10	M10	M10	M12	M16
E2		Φ8	Φ8	Φ10	Φ12	Φ15
E3		M14×1.5	M16×1.5	M18×1.5	M20×1.5	M24×2
F		10	10	10	12	15
G1		50	55	60	65	75
G2		140	160	160	180	200
H		9	10	10	12	15
ΦI1		Φ45	Φ50	Φ58	Φ68	Φ81
I2		M45×1.5	M50×1.5	M55×1.5	M65×1.5	-
J		53	57	69	75	90
K		40	44	52	58	70
L		Φ6.8-Φ10.5×6.5D.	Φ6.8-Φ10.5×6.5D.	Φ9-Φ13.5×9D.	Φ9-Φ13.5×9D.	Φ11-Φ17×11D.
M1		PT1/4	PT1/4	PT1/4	PT1/4	PT1/4
M2		PT1/8	PT1/8	PT1/8	PT1/8	-
N		28	32	40	50	63
T1×2PCS		10	11	11	12	-
T2		Φ65	Φ70	Φ70	Φ85	-
Q		Φ18	Φ20	Φ22.4	Φ28	Φ35.5

RS/HSC油壓轉角缸(FAM法蘭型油路板)
RS/HSC Hydraulic Swing Clamp Cylinder FAM Flange with manifold

●油缸內徑Φ25-Φ50 ●最大操作壓力70kg/Cm² ●Bore of cylinder (mm) Φ25-Φ50 ●Max pressure: 70kg/Cm²



外形尺寸表 Dimension table

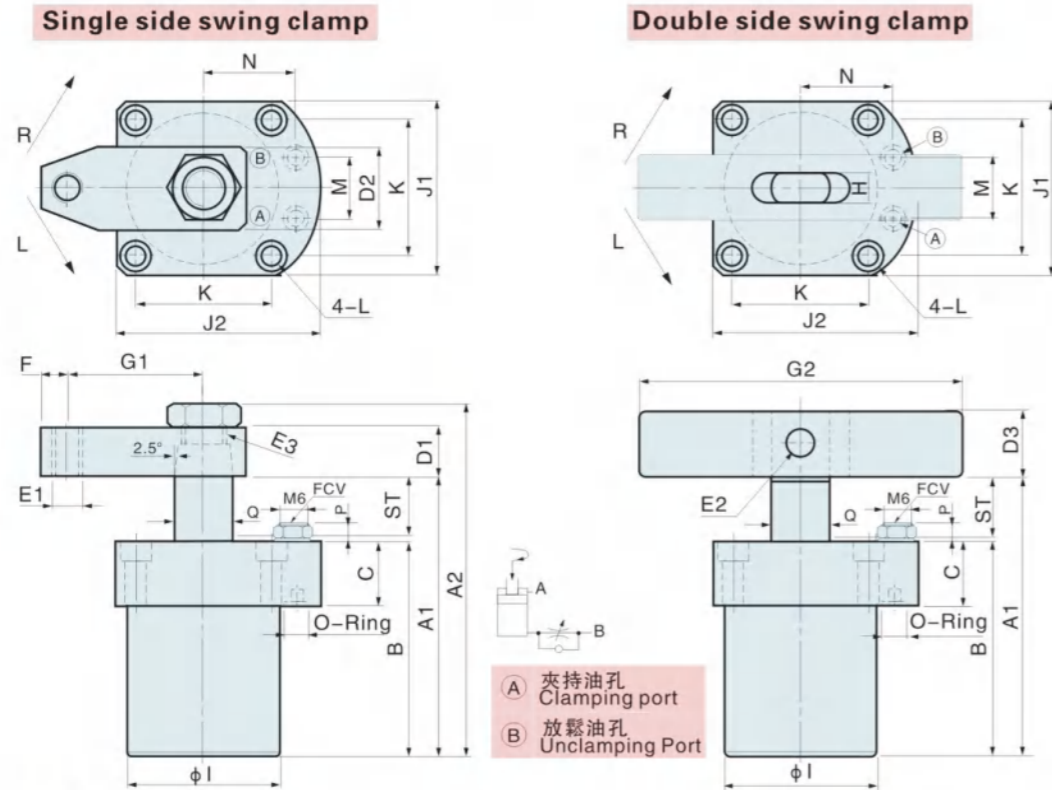
單位(Unit) : mm

ITEM	MODEL	RS/HSC-FAM25	RS/HSC-FAM32	RS/HSC-FAM40	RS/HSC-FAM50	HSC-FAM63
ST:Swing/Claming		22:9/13	26:11/15	26:11/15	30:13/17	30:13/17
A1鬆開狀態 Unclamp	RS	104	118	123	137	-
	HSC	101	115	120	134	139
A2鬆開狀態 Unclamp	RS	(127)	(144)	(150)	(167)	-
	HSC	(124)	(140)	(148)	(165)	175
B		76	85	90	100	105
C		22	25	25	30	30
D1		16	18	18	20	23
D2		27	31	31	37	48
D3		□19	□22	□22	□25	□31.8
E1		M10	M10	M10	M12	M16
E2		Φ8	Φ8	Φ10	Φ12	Φ15
E3		M14×1.5	M16×1.5	M18×1.5	M20×1.5	M27×1.5
F		10	10	10	12	15
G1		50	55	60	65	75
G2		140	160	160	180	200
H		9	10	10	12	15
ΦI		Φ45	Φ50	Φ58	Φ68	Φ81
J1		55	57	69	75	90
J2		64	65.5	79	87	104
K		42	44	52	58	70
L		Φ6.8-Φ10.5×6.5D.	Φ6.8-Φ10.5×6.5D.	Φ9-Φ13.5×9D.	Φ9-Φ13.5×9D.	Φ11-Φ18×11D.
M		20	22	26	30	34
N		28	29	34.5	39	47
O-Ring		P6	P6	P9	P9	P10
Q		Φ18	Φ20	Φ22.4	Φ28	Φ35

HSC油壓轉角缸(FCM法蘭型油路板附調速)

HSC Hydraulic Swing Clamp Cylinder FCM Flange Type manifold with flow control

●油缸內徑Φ25-Φ50 ●最大操作压力100kg/cm² ●Bore of cylinder (mm) Φ25-Φ50 ●Max pressure: 100kg/cm²



外形尺寸表 Dimension table

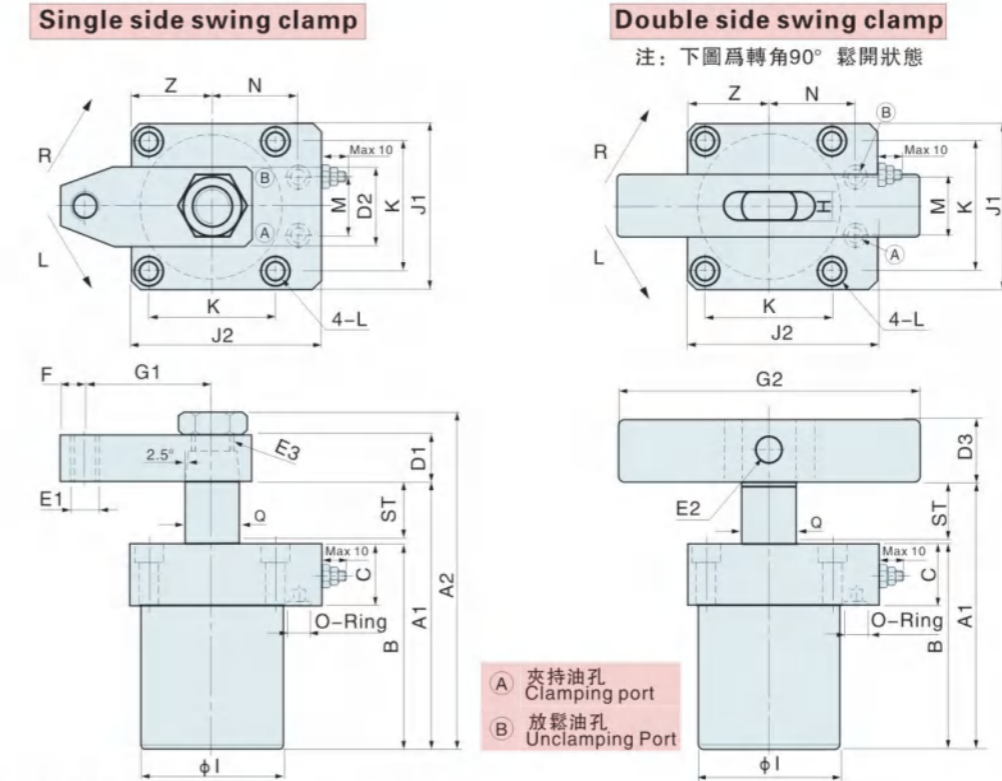
單位 (Unit) :mm

ITEM	MODEL	HSC-FCM25	HSC-FCM32	HSC-FCM40	HSC-FCM50	HSC-FCM63
ST: Swing/Clamping		22:9/13	26:11/15	26:11/15	30:13/17	30:13/17
A1		101	115	120	134	139
A2		(124)	(140)	(148)	(166)	(175)
A3		120	137.2	142.2	159.4	170.8
B		76	85	90	100	105
C		22	25	25	30	30
D1		15	17	18	20	23
D2		27	31	31	37	48
D3		□19	□22.2	□22	□25.4	□31.8
E1		M10×1.5	M10×1.5	M10×1.5	M12×1.75	M16×2.0
E2		Φ8	Φ8	Φ10	Φ12	Φ15
E3		M14×1.5	M16×1.5	M18×1.5	M20×1.5	M26×1.5
F		10	10	10	12	15
G1		50	55	60	65	75
G2		140	160	160	180	200
H		9	10	10	12	15
φI		Φ45	Φ50	Φ58	Φ68	Φ81
J1		55	57	69	75	90
J2		64	65.5	79	87	104
K		42	44	52	58	70
L		Φ6.8-Φ10.5×6.5D.	Φ6.8-Φ10.5×6.5D.	Φ9-Φ14×9D.	Φ9-Φ14×9D.	Φ11-Φ17×11D.
M		20	22	26	30	34
N		28	29	34.5	39	47
O-Ring		P6	P6	P9	P9	P9
P Min		7	4.5	4.5	4	4
P Max		9.9	7.8	7.8	7.3	7.3

RS油壓轉角缸(FAMT法蘭型油路板附調速)

RS Hydraulic Swing Clamp Cylinder FAMT Flang with Flow control

●油缸內徑Φ25-Φ50 ●最大操作压力70kg/cm² ●Bore of cylinder (mm) Φ25-Φ50 ●Max pressure: 70kg/cm²



外形尺寸表 Dimension table

單位 (Unit) :mm

ITEM	MODEL	RS-FAMT25	RS-FAMT32	RS-FAMT40	RS-FAMT50
ST:Swing/Clamping		22:9/13	26:11/15	26:11/15	30:13/17
A1鬆開狀態 Unclamp		104	118	123	137
A2鬆開狀態 Unclamp		(127)	(144)	(150)	(167)
B		76	85	90	100
C		22	25	25	30
D1		16	18	18	20
D2		27	31	31	37
D3		□19	□22	□22	□25
E1		M10	M10	M10	M12
E2		Φ8	Φ8	Φ10	Φ12
E3		M14×1.5	M16×1.5	M18×1.5	M20×1.5
F		10	10	10	12
G1		50	55	60	65
G2		140	160	160	180
H		9	10	10	12
φI		Φ45	Φ50	Φ58	Φ68
J1		55	57	69	75
J2		64	65.5	77	87
K		42	44	52	58
L		Φ6.8-Φ10.5×6.5D.	Φ6.8-Φ10.5×6.5D.	Φ9-Φ13.5×9D.	Φ9-Φ13.5×9D.
M		20	22	26	30
N		28	29	34.5	39
O-Ring		P6	P6	P6	P9
Z		27.5	28.5	34.5	37.5
Q		Φ18	Φ20	Φ22.4	Φ28

RNS/RNTS油壓轉角缸 RNS/RNTS Hydraulic Swing Clamp Cylinder

●油缸內徑 $\phi 25-\phi 63$ ●最大操作壓力 $45/\text{cm}^2$ ●Bore of cylinder (mm) $\phi 25-\phi 63$ ●Max pressure: 45kg/cm^2



產品簡介

- ◆本產品有缸徑從 $\phi 25-\phi 63$ 五種，轉角從 $0^\circ-90^\circ$ 。
- ◆油壓轉角缸適用於需要夾緊力需要較大的場合，適用夾緊大型的工件，適用於機加工進切削力較大的場合，市廣泛應用於批量生產，自動化程度高
- ◆轉角缸缸體採用碳素鋼

Introduction of product

- ◆The bore of cylinder are from $\phi 25-\phi 63$, swing angle is from 0° degrees to 90° degrees.
- ◆The hydraulic swing clamping cylinder is used to be the situation that is need to a larger clamping force, and be apply in the batch quantity to produce extensively, the automation degree is high.
- ◆The cylinder are made of carbon steel

特幾天資料 Specification

油缸型號 Type of cylinder(mm)	RNS-25	RNS-32	RNS-40	RNS-50	RNS-63
	RNSD-25	RNSD-32	RNSD-40	RNSD-50	RNSD-63
	RNTS-25	RNTS-32	RNTS-40	RNTS-50	
	RNTSD-25	RNTSD-32	RNTSD-40	RNTSD-50	
活塞杆徑 Bore of piston (mm)	$\phi 18$	$\phi 20$	$\phi 20$	$\phi 25$	$\phi 25$
轉角行程 Swing stroke (mm)	12			14	
垂直行程 Clamping stroke (mm)	14			15	
受壓面積拉入/推出 Pressure area pull/push cm^2	2.36/4.9	4.89/8.03	9.42/12.56	14.72/19.62	26.25/31.15
理論夾持力 Theoretical clamping 25kg/cm^2	59kg	120kg	200kg	360kg	600kg
使用流體 Fluid	已濾清之標準液壓油 Filtered oil				
使用溫度範圍 Range of temperature	$-10\sim+60^\circ\text{C}$				
最大耐壓力 Max operation pressure (kg/cm^2)	70kg/cm^2				
使用壓力範圍 Range of pressure(kg/cm^2)	$20-45\text{kg/cm}^2$				
轉角方向 Rotating direction	順時針右轉R或逆時針左轉L Turn right R or turn left L				
轉角角度 Rotating angle	標準角度Standard angle $90^\circ (\pm 2^\circ)$ 訂做角度 order angle $0^\circ, 45^\circ (\pm 2^\circ), 60^\circ (\pm 2^\circ)$				
作動方式 Acting type	復動式 Double acting				
固定方式 Fixing type	法蘭式 Flang				

訂購標示法 Ordering Code

RNS L --- 40 x 90° G/FG

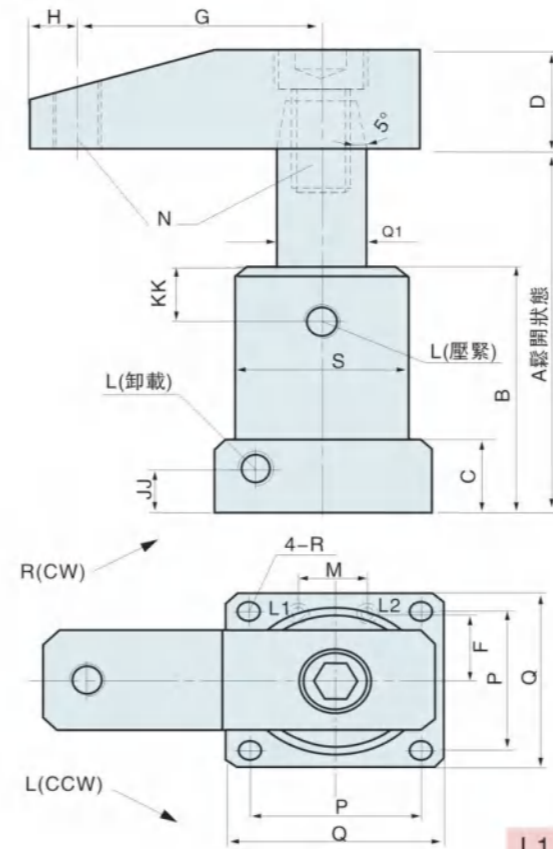
① ② ③ ④ ⑤

1	系列號 Series	RS, RNSD, RNTS, RNTSD
2	轉角方向 Rotating direction	右轉R或左轉L Turn right R or turn left L
3	油缸內徑 Bore of cylinder	$\phi 25, \phi 32, \phi 40, \phi 50, \phi 63$ 注: NHTS, NHTSD 系列無 $\phi 63$ 氣缸
4	轉角角度 Rotating angle	標準角度Standard angle $90^\circ (\pm 2^\circ)$ 訂做角度 order angle $0^\circ, 45^\circ (\pm 2^\circ), 60^\circ (\pm 2^\circ)$
5	空白: 配管式	G: 油路板式 FG: 附調速閥

RNS/RNTS油壓轉角缸(法蘭型) RNS/RNTS Hydraulic Swing Clamp Cylinder Flange Type

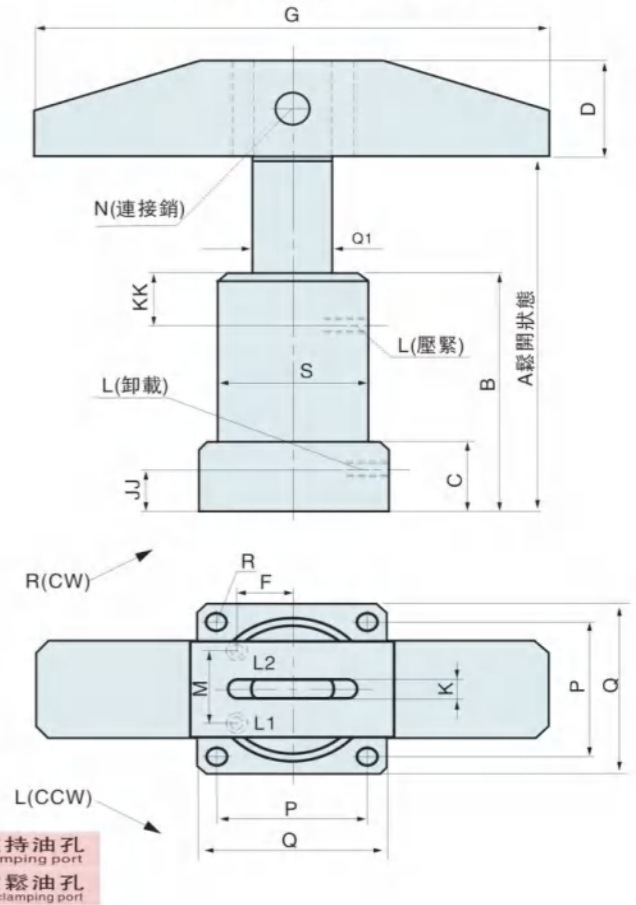
●油缸內徑 $\phi 25-\phi 63$ ●最大操作壓力 $45/\text{cm}^2$ ●Bore of cylinder (mm) $\phi 25-\phi 63$ ●Max pressure: 45kg/cm^2

Single side swing clamp



Double side swing clamp

注: 下圖為轉角 90° 鬆開狀態



外形尺寸表 Dimension table

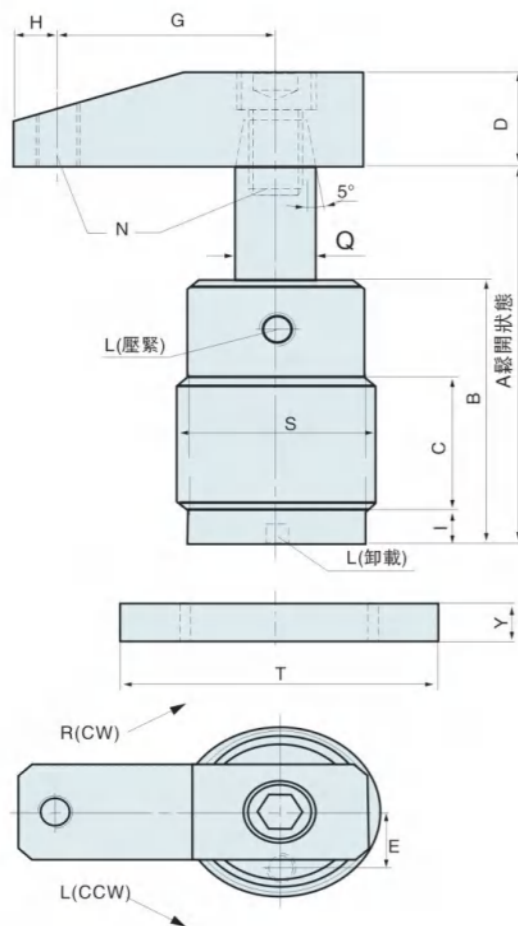
ITEM MODEL	單位/mm																		
	ST	A	B	C	D	G	H	KK	L	N	JJ	P	Q	R	S	M	F	Q1	
RNS-25	26	100	70	23	25x25	50	10	16.5	PT 1/8	M10*1.5	15	40	50	$\phi 6.5$	$\phi 45$	18	15	$\phi 18$	
RNS-32	29	111	76	25	25x25	55	10	16.5	PT 1/8	M10*1.5	15.5	44	55	$\phi 6.5$	$\phi 50$	24	17	$\phi 20$	
RNS-40	29	113.6	80	27	25x25	55	10	10	PT 1/8	M10*1.5	18	48	62	$\phi 8.5$	$\phi 54$	26	20	$\phi 20$	
RNS-50	29	114.5	80	27	30x30	55	10	11.5	PT 1/8	M10*1.5	18	57	74	$\phi 8.5$	$\phi 65$	30	25	$\phi 25$	
RNS-63	29	118	85	32	32x32	75	11	13	PT 1/8	M12*1.75	22.5	70	88	$\phi 10.5$	$\phi 80$	40	30	$\phi 25$	

ITEM MODEL	單位/mm																		
	ST	A	B	C	D	G	K	KK	L	N	JJ	P	Q	R	S	M	F	Q1	
RNSD-25	26	100	70	23	19x19	100	9	16.5	PT 1/8	$\phi 8$	15	40	50	$\phi 6.5$	$\phi 45$	18	15	$\phi 18$	
RNSD-32	29	111	76	25	22x22	120	10	16.5	PT 1/8	$\phi 8$	15.5	44	55	$\phi 6.5$	$\phi 50$	24	17	$\phi 20$	
RNSD-40	29	113.6	80	27	22x22	120	10	10	PT 1/8	$\phi 8$	18	48	62	$\phi 8.5$	$\phi 54$	26	20	$\phi 20$	
RNSD-50	29	114.5	80	27	22x22	120	10	11.5	PT 1/8	$\phi 8$	18	57	74	$\phi 8.5$	$\phi 65$	30	25	$\phi 25$	
RNSD-63	29	118	85	32	25x25	140	12	13	PT 1/8	$\phi 10$	22.5	70	88	$\phi 10.5$	$\phi 80$	40	30	$\phi 25$	

油壓轉角RNTS/RNTSD(螺紋式) RNTS/RNTSD Hydraulic Swing Clamp Cylinder Thyeaded type

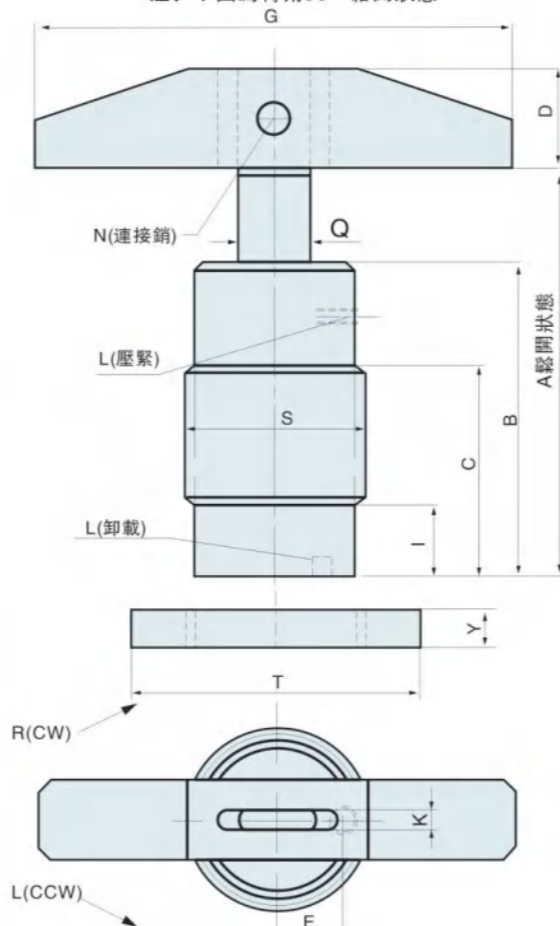
●油缸內徑φ25-φ63 ●最大操作壓力45/cm² ●Bore of cylinder (mm) φ25-φ63 ●Max pressure:45kgcm²

Single side swing clamp



Double side swing clamp

注：下圖為轉角90° 鬆開狀態



外形尺寸表 Dimension table

ITEM MODEL	ST	A	B	C	D	E	G	H	I	L	N	S	T	Y	Q
RNTS-25	26	100	70	35	25x25	12.5	50	10	9	PT 1/8	M10x1.5	M45x1.5	φ65	10	φ18
RNTS-32	29	111	76	40	25x25	12.5	55	10	10	PT 1/8	M10x1.5	M50x1.5	φ70	11	φ20
RNTS-40	29	113.6	80	45	25x25	15	55	10	11	PT 1/8	M10x1.5	M55x1.5	φ75	11	φ20
RNTS-50	29	114.5	80	45	30x30	16.5	55	10	11	PT 1/8	M10x1.5	M65x1.5	φ85	12	φ25

ITEM MODEL	ST	A	B	C	D	G	H	I	K	L	N	S	T	Y	Q
RNTSD-25	26	100	70	35	19x19	100	---	9	9	PT 1/8	φ8	M45x1.5	φ65	10	φ18
RNTSD-32	29	111	76	40	22x22	120	---	10	10	PT 1/8	φ8	M50x1.5	φ70	11	φ20
RNTSD-40	29	113.6	80	45	22x22	120	---	11	10	PT 1/8	φ8	M55x1.5	φ75	11	φ20
RNTSD-50	29	114.5	80	45	22x22	120	---	11	10	PT 1/8	φ8	M65x1.5	φ85	12	φ25

CP 同步油缸 CP Synchronous clamp cylinder

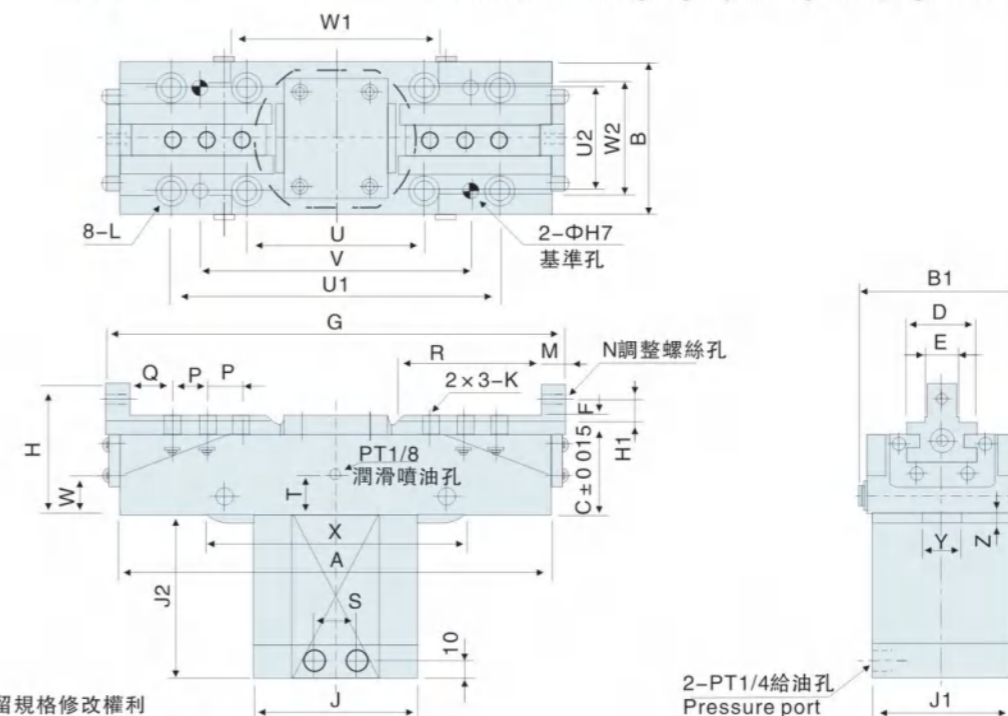
●最大操作壓力350kg/cm² ●Max pressure:350kg/cm²

產品簡介

- ◆曲柄型二滑塊同步油缸，滑塊行程長。
- ◆摺動面均經硬化及精密研磨，并直接潤滑。
- ◆高夾持精度，防塵效果特佳。

Introduction of product

- ◆It's a CRANK type 2 slider synchronous clamp cylinder with long slider stroke.
- ◆Matching surfaces of all parts hardened,ground and lubricated directly.
- ◆Construction of high rigidity and high clamping accuracy.



保留規格修改權利
Subject to tachtncal changes.

特性資料 Specification

型號 Model	CP-20	CP-30A	CP-30	CP-50
受壓面積(推出)Pressure area push(cm)	28.27	28.27	28.27	38.48
滑塊行程Slider stroke(mm)	20	30	30	50
最大夾持力Max clamping (kgf)	1653	1806	1806	2071
使用流體Fluid	已濾清之標準液壓 Filtered oid			
使用溫度範圍 Range of temoeature(°C)	-10~70(°C)			
最大使用壓力 Max pressure(kg/cm)	350kg/cm			

外形尺寸表 Dimension table

SIZE MODEL	A	B	B1	C	D	E(h6)	F	G		H	H1	J	J1	J2	K	L
								max.	min.							
CP-20	215					18	4	249	229					83.5	M10x1.5	M10
CP-30A	250	88	96	53	40			295	265	75	13	94		96		
CP-30	280					22		327	297				76			
CP-50	300	110	115	65	50	28	5	369	319	90	15	105	-	120	M12x1.75	

SIZE MODEL	M	N	P	Q	R	S	T	U	U1	U2	V	W	W1	W2	X	Y	Z
CP-20	12		18	20	66							32	110		150		4
CP-30A		M6 x 1			96	25	22	102	190	60	156	20	120	65	156	22	
CP-30	14		20	24	98							23	110				6
CP-50	16	M8 x 1.25	21	28	102	30	32	105	230	85	195	22	140	80	180	30	10

RHU上法蘭油壓轉角缸 RHU Hydraulic Swing Clamp Cylinder Upper Flange

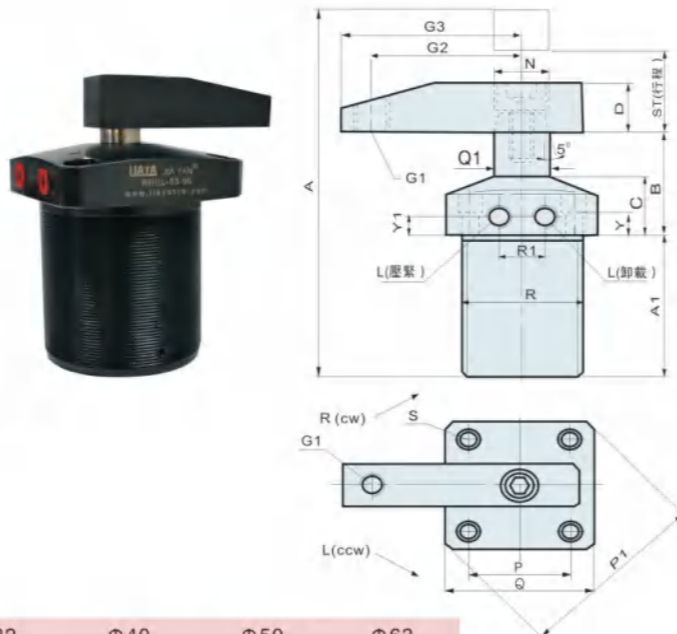
●油缸內徑Φ25-Φ63 ●最大操作壓力45kg/cm² ●Bore of cylinder(mm):Φ25-Φ63 ●Max pressure: 45kg/cm²

產品簡介

- ◆主要功能為加緊裝置,油通過法蘭孔進出
- ◆油壓缸體為45號鋼,並進行了發黑處理,表面熱處理增加了耐磨性
- ◆法蘭的上面有四個用于安裝的螺絲孔
- ◆活塞缸與工裝用螺母聯結
- ◆壓板需要增加長度時,勿大于原長度的1.5倍

Introduction of product

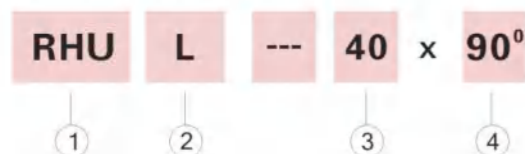
- ◆For recessed installation in the fixture. Oil goes into and goes out from the flange hole.
- ◆The material of the cylinder body is 45#Steel. Surface is treated with hard coat for wear resistance
- ◆The four screw holes on the flange are used for installation.
- ◆Please don't exceed 1.5 times of the original length, if you need to increase the length of the clamping arm



特性資料 Specification

油缸內徑	Bore of cylinder (mm)	Φ25	Φ32	Φ40	Φ50	Φ63
活塞杆徑	Bore of piston (mm)	Φ14	Φ16	Φ16	Φ20	Φ20
轉角行程	Swing stroke (mm)	13	16	15	17	15
垂直行程	Clamping stroke (mm)	14	14	15	15	15
受壓面積拉入/推出	Pressure area pull/push cm ²	3.37/4.9	6.03/8.03	10.56/12.56	16.48/19.62	28.01/31.15
理論夾持力	Theoretical clamping 25kg/cm ²	85	150	260	400	700
使用流體	Fluid	已濾清之標準液壓油 Filtered oil				
使用溫度範圍	Range of temperature	-10~+60°C				
最大耐壓力	Max operation pressure (kg/cm ²)	70kg/cm ²				
操作壓力範圍	Range of pressure (kg/cm ²)	20~45kg/cm ²				
轉角方向	Rotating direction	順時針右轉R或逆時針左轉L Turn right R or Turn left L				
轉角角度	Rotating angle	標準角度90° (±2°) 訂做角度0°、45° (±2°)、60° (±2°) Standard angle 90° (±2°), order angle 0°、45° (±2°)、60° (±2°)				
作動方式	Acting type	復動式 Double acting				

訂購標示法 Ordering Code



1	系列號 Series	RHU
2	轉角方向 Rotating direction	右轉R或左轉L Turn right R or turn left L
3	油缸內徑 Bore of cylinder	Φ25, Φ32, Φ40, Φ50, Φ63
4	轉角角度 Rotating angle	標準角度Standard angle 90° (±2°) 訂做角度order angle 0°, 45° (±2°), 60° (±2°)

外形尺寸表 Dimension table

單位 (Unit) :mm

ITEM MODEL	ST	A	A1	B	C	D	G1	G2	G3	L	N	P	P1	Q	R	R1	S	Y	Y1	Q1
RHU-25	27	134.5	61.5	30	25	16x16	M6	50	56	M6	M8	37	66	50	M40x1.5	20	Φ5.5	11.5	14.5	Φ14
RHU-32	30	152.5	72.5	30	25	19x19	M8	60	69	PT 1/8	M8	45	80	60	M50x1.5	22	Φ6.5	13	10.5	Φ16
RHU-32	30	152.5	72.5	30	25	19x19	M8	70	79	PT 1/8	M8	50	87	65	M55x1.5	26	Φ6.5	13	10.5	Φ16
RHU-50	32	166	79	30	25	25x25	M12	80	90	PT 1/8	M10	58	100	75	M65x1.5	32	Φ8.5	11	10.5	Φ20
RHU-63	30	165	80	30	25	25x25	M12	90	100	PT 1/8	M10	70	118	90	M80x1.5	35	Φ8.5	11	10.5	Φ20

RNU上蘭油路板型油壓轉角缸 RNU Hydraulic Swing manifold type Clamp Cylinder Upper Flange

●油缸內徑 Φ32-Φ63 ●最大操作壓力45kg/cm² ●Bore of cylinder (mm) :Φ32-Φ63 ●Max pressure: 45kg/cm²

產品簡介

- ◆本產品有缸徑從Φ32-Φ63四種,為復動式;標準轉角角度是90°,可選擇的角度是0°,45°,60°。
- ◆氣缸的總行程等于它的轉角行程和壓緊行程的總和。
- ◆壓緊的方法有單臂和雙臂兩種。
- ◆缸體材料采用中碳鋼。
- ◆壓板需增加長度時,請勿大于原長度之1.5倍。

Introduction of product

- ◆The bore of the cylinder are including Φ32, Φ40, Φ50 and Φ63. Double acting type.
- The standard rotating angle is 90° and the optional rotating angles are including 0°, 45° and 60°
- ◆The total stroke is equal to the sum of the swing stroke and the clamping stroke, and is usually used within the clamping stroke.
- ◆The type of clamping are including single side swing clamping and double side swing clamping.
- ◆The material of the cylinder body is medium carbon steel.
- ◆Please don't exceed 1.5 times of the original length, if you need to increase the length of the clamping arm.



RNU

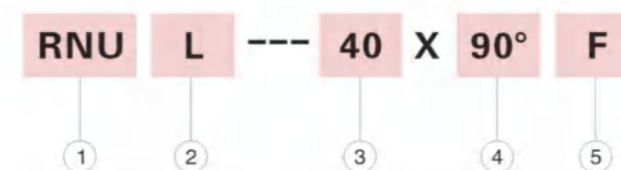


RNUD

特性資料 Specification

油缸內徑	Bore of cylinder mm	Φ32	Φ40	Φ50	Φ63
活塞杆徑	Bore of piston (mm)	Φ20	Φ20	Φ25	Φ25
轉角行程	Swing stroke (mm)	14			
垂直行程	Clamping stroke (mm)	15			
受壓面積拉入/推出	Pressure area pull/push cm ²	4.9/8.04	9.43/12.57	14.72	26.6/31.17
理論夾持力	Theoretical clamping 25kg/cm ²	125kg	200kg	360kg	600kg
使用流體	Fluid	已濾清之標準液壓油 Filtered oil			
使用溫度范围	Range of temperature	-10~+60°C			
最大耐壓力	Max operation pressure (kg/cm ²)	70kg/cm ²			
操作壓力範圍	Range of pressure (kg/cm ²)	20~45kg/cm ²			
轉角方向	Rotating direction	順時針右轉R或逆時針左轉L Turn right R or Turn left L			
轉角角度	Rotating angle	標準角度90° (±2°) 訂做角度0°、45° (±2°)、60° (±2°) Standard angle 90° (±2°), order angle 0°、45° (±2°)、60° (±2°)			
作動方式	Acting type	復動式 Double acting			

訂購標示法 Ordering Code

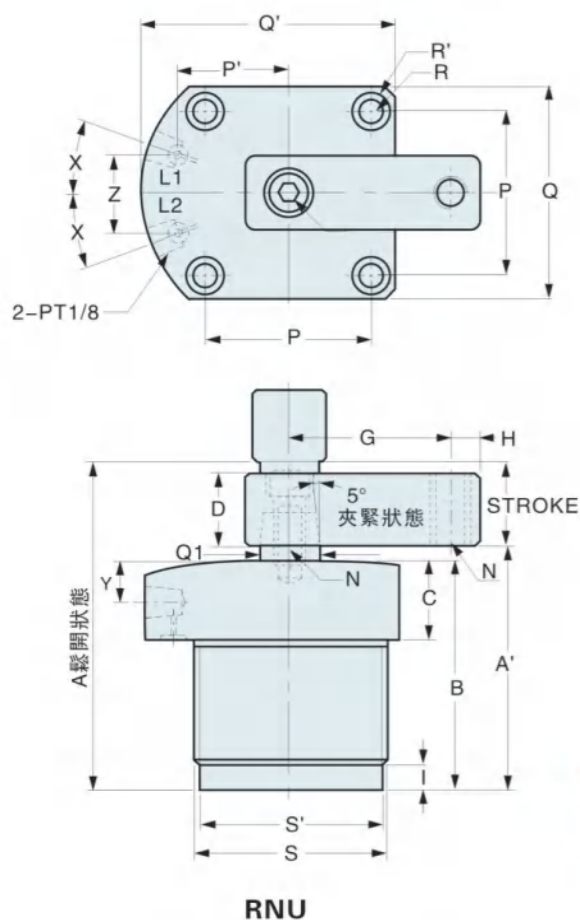


1	系列號 Series	RNU/RNUD(雙臂)
2	轉角方向 Rotating direction	右轉R或左轉L Turn right R or turn left L
3	油缸內徑 Bore of cylinder	Φ32, Φ40, Φ50, Φ63
4	轉角角度 Rotating angle	標準角度Standard angle 90° (±2°) 訂做角度order angle 0°, 45° (±2°), 60° (±2°)
5	附調速 With flow control	

RNU上蘭油路板型油壓轉角缸 RNU Hydraulic Swing manifold type Clamp Cylinder Upper Flange

●油缸內徑 $\Phi 32-\Phi 63$ ●最大操作壓力 45kg/cm^2 ●Bore of cylinder (mm) : $\Phi 32-\Phi 63$ ●Max pressure: 45kg/cm^2

Single side swing clamp

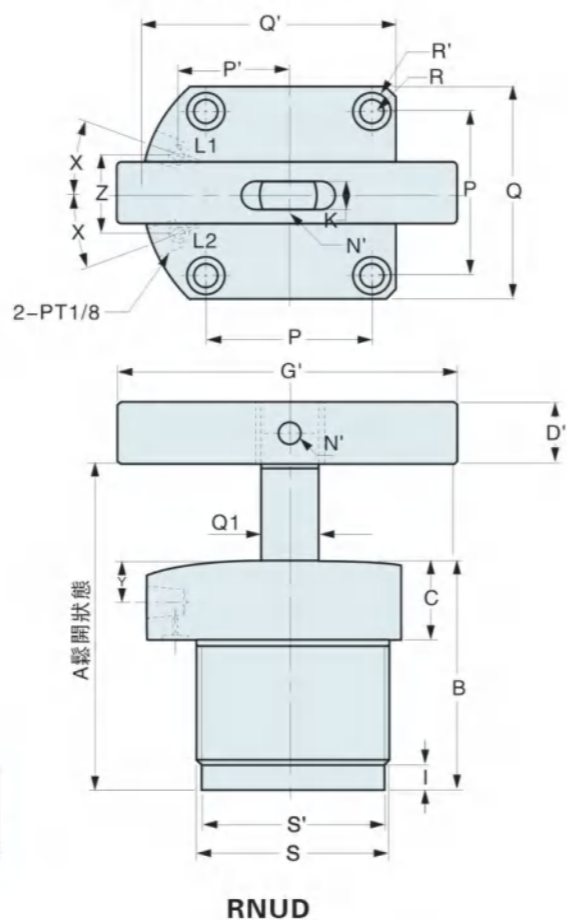


L1 夾持油孔
Clamping Port
L2 放鬆油孔
Unclamping Port

RNU

Double side swing clamp

注：下圖為轉角90° 鬆開狀態



RNUD

外形尺寸表 Dimension table

單位 (Unit) : mm

ITEM MODEL	ST	A	A'	B	C	D	G	H	I	N	P/P'	Q/Q'	R/R'	S	S'	X	Y	Z	Q1
RNU-32	29	111	82	76	25	25	55	10	9	M10×1.5	44/30	56/69	$\Phi 6.5/\Phi 10.5$	M50x1.5	48	22.5°	12.5	24.9	$\Phi 20$
RNU-40	29	113.6	84.6	80	27	25	55	10	9	M10×1.5	48/31.4	62/71.5	$\Phi 6.5/\Phi 10.5$	M55x1.5	53	22.5°	14	26	$\Phi 20$
RNU-50	29	114.5	85.5	80	27	32	75	11	9	M12×1.75	57/37.6	74/87	$\Phi 8.5/\Phi 14$	M65x1.5	63	20°	14	27.4	$\Phi 25$
RNU-63	29	118	89	85	32	32	75	11	9	M12×1.75	70/46	88/105.5	$\Phi 11/\Phi 16.5$	M80x1.5	77	22.5°	19	38	$\Phi 25$

ITEM MODEL	ST	A	A'	B	C	D'	G'	I	K	N'	P/P'	Q/Q'	R/R'	S	S'	X	Y	Z	Q1
RNUD-32	29	111	82	76	25	22	120	9	10	$\Phi 8$	44/30	56/69	$\Phi 6.5/\Phi 10.5$	M50x1.5	48	22.5°	12.5	24.9	$\Phi 20$
RNUD-40	29	113.6	84.6	80	27	22	120	9	10	$\Phi 8$	48/31.4	62/71.5	$\Phi 6.5/\Phi 10.5$	M55x1.5	53	22.5°	14	26	$\Phi 20$
RNUD-50	29	114.5	85.5	80	27	22	120	9	10	$\Phi 8$	57/37.6	74/87	$\Phi 8.5/\Phi 14$	M65x1.5	63	20°	14	27.4	$\Phi 25$
RNUD-63	29	118	89	85	32	25	140	9	12	$\Phi 10$	70/46	88/105.5	$\Phi 11/\Phi 16.5$	M80x1.5	77	22.5°	19	38	$\Phi 25$

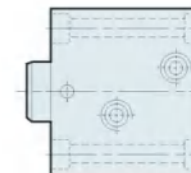
RTB薄型油壓缸 RTB Hydraulic thin-type Cylinder

●油缸內徑 $\Phi 20-\Phi 80$ ●最大操作壓力 140kg/cm^2 ●Bore of cylinder (mm) : $\Phi 20-\Phi 80$ ●Max pressure: 140kg/cm^2

產品簡介

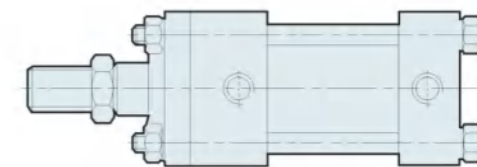
- ◆體積小，節省空間，安裝空間受限制的最佳選擇。
- ◆標準化規格，直接安裝，不需其它配件，降低成本。
- ◆缸體材質採用機械構造用炭素鋼，內壁特殊加工處理，表面光滑，使用壽命長。
- ◆軸向，側向油路板型免配管，提升整體美觀。

傳統油缸與薄型缸總長度之比較
A comparison of length between the traditional hydraulic cylinder and thin type cylinder.



Introduction of product

- ◆Compact construction for space saving. Ideal for application in a restricted space.
- ◆Standardized specifications. Direct installation without need of any further accessories for saving cost.
- ◆The cylinder barrel is manufactured from structural carbon steel. Internal surface is specially treated. Smoothness and long service life.
- ◆Axial and side manifold type without upgrading pipe. Beautiful appearance.



特性資料 Specification

安裝型式 Installation type	軸向 Axial	單軸SD;雙軸SW Single end rod SD;Double end rod SW
	側向 Side	單軸LA;雙軸LW Sing end rod LA;Double end rod LW
使用壓力範圍 Range of pressure (kg/cm ²)	5-140kg/cm ²	
使用速度範圍 The range of speed	8-100mm/sec	
使用溫度範圍 The range of temperature	-10~+60°C	
使用流體 Fluid	已濾清之標準液壓油 Filtered oil	
作動方式 Acting type	復動式 Double acting	
油缸本體材質 Material of cylinder barrel	碳素鋼 Carbon steel	

理論出力表 Clamping force

F1:推出 Push out ←
F2:拉入 Pull in →



單位 (Unit) : mm

缸體內徑 Bore of cylinder (mm)	活塞杆徑 Bore of piston (mm)	受壓面積 Pressure area(cm ²)		操作壓力 Operation pressure(kg/cm ²)											
		F1	F2	10		35		70		100		140			
				F1	F2	F1	F2	F1	F2	F1	F2	F1	F2		
$\Phi 20$	$\Phi 12$	3.14	2.01	31	20	110	71	220	141	314	201	440	281		
$\Phi 25$	$\Phi 14$	4.91	3.37	49	34	172	118	344	236	491	337	687	472		
$\Phi 32$	$\Phi 20$	8.04	4.9	80	49	281	172	563	343	804	490	1126	686		
$\Phi 40$	$\Phi 25$	12.57	7.66	126	77	440	268	880	536	1257	766	1760	1072		
$\Phi 50$	$\Phi 30$	19.64	12.57	196	126	687	440	1375	880	1964	1257	2750	1760		
$\Phi 63$	$\Phi 35$	31.17	21.55	312	216	1091	754	2182	1509	3117	2155	4364	3017		
$\Phi 80$	$\Phi 45$	50.27	34.37	503	344	1759	1203	3519	2406	5027	3437	7038	4812		