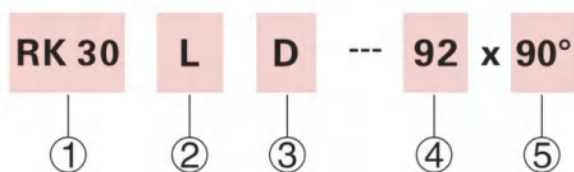


RK 30底部法蘭轉角缸 RK 30 Hydraulic Swing Clamp Bottom Flange

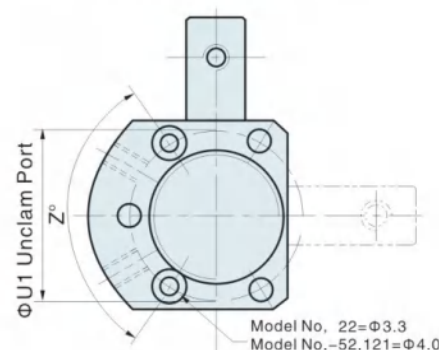
●油缸內徑Φ14-Φ45 ●最大操作壓力250kg/cm² ●Bore of cylinder(mm):Φ14-Φ45 ●Max pressure:250kg/cm²

訂購標示法 Ordering Code

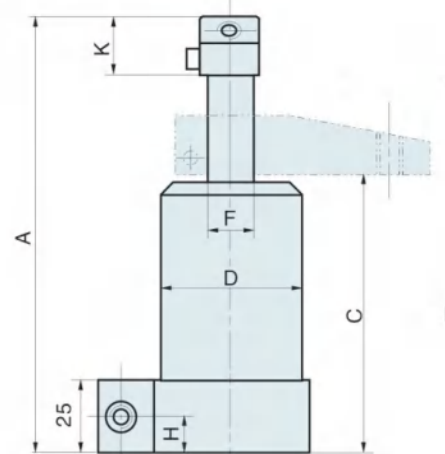
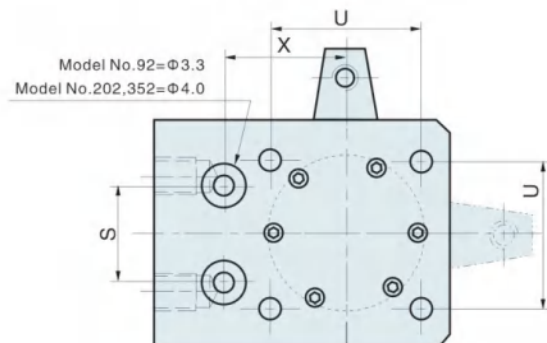


①	系列號 Series	RK 30
②	轉角方向 Rotating direction	右轉R或左轉L Turn right R or Turn left L
③	作動方式 Acting type	單動式 S:Single acting 復動式 D:Double acting
④	型號 Type	22,52,92,121,202
⑤	轉角角度 Rotating angle	標準角度 Standard angle 90° 訂做角度 order angle 30°、45°、60°

Model No.,-22,52,121

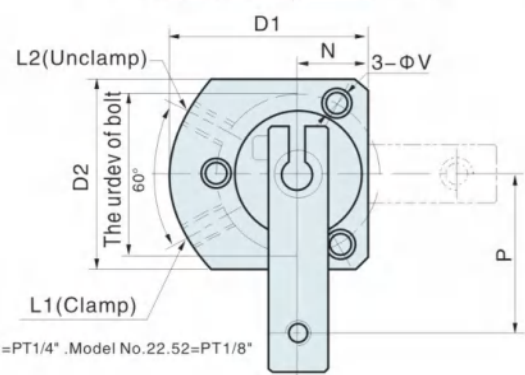
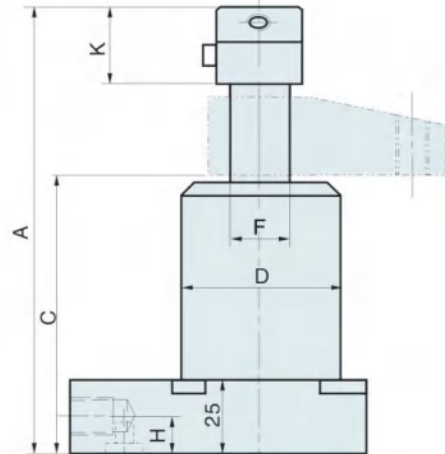


Model No.,-92,202,

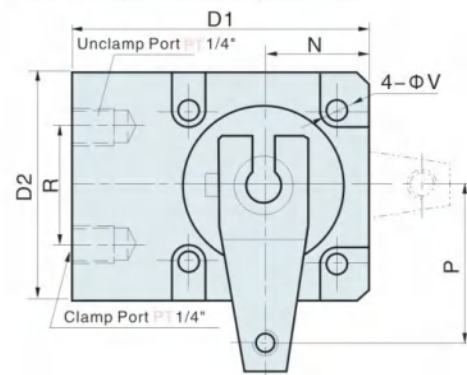


單動
Single Acting

復動
Double Acting



Model No. 121=PT1/4\"/>



Clamp Port PT 1/4\"/>

RK 30底部法蘭轉角缸 RK 30 Hydraulic Swing Clamp Bottom Flange

●油缸內徑Φ14-Φ45 ●最大操作壓力250kg/cm² ●Bore of cylinder(mm):Φ14-Φ45 ●Max pressure:250kg/cm²

外形尺寸表 Dimension table 單動式 Single Acting

單位 (Unit) :mm

ITEM MODEL	A	C	ΦD	D1	D2	ΦF	H	K	N	P	R	S	U	ΦU1	ΦV	X	Z°	Weight(kg)
RK 30LS-22 RK 30RS-22	118	84.3	27.9	47.2	45	10	14	16	15.5	40	---	---	---	40	5.6	---	60	0.5
RK 30LS-52 RK 30RS-52	145.2	100	34.8	54.1	57	16	14	22.2	19.1	49	---	---	---	50	6.9	---	110	1.1
RK 30LS-92 RK 30RS-92	155	105.6	47.8	70.1	54	25	12	25	26.9	45	23.6	23.6	42	---	6.5	28.7	---	2.0
RK 30LS-121 RK 30RS-121	171	113	47.8	66.8	73	22	16	30	25.4	51	---	---	---	64	8.9	---	110	1.6
RK 30LS-202 RK 30RS-202	175	115	63.8	85.1	70	32	12	32	35.1	55	25.9	29.0	55	---	8.4	35.1	---	3.5

外形尺寸表 Dimension table 復動式 Double Acting

單位 (Unit) :mm

ITEM MODEL	A	C	ΦD	D1	D2	ΦF	H	K	N	P	R	S	U	ΦU1	ΦV	X	Z°	Weight (kg)
RK 30LD-22 RK 30RD-22	118	84.3	27.9	47.2	45	10	14	16	15.5	40	---	---	---	40	5.6	---	60	0.5
RK 30LD-52 RK 30RD-52	145.2	100	34.8	54.1	57	16	14	22.2	19.1	49	---	---	---	50	6.9	---	110	1.1
RK 30LD-92 RK 30RD-92	155	105.6	47.8	70.1	54	25	12	25	26.9	45	---	23.6	42	---	6.5	28.7	---	2.0
RK 30LD-121 RK 30RD-121	171	113	47.8	66.8	73	22	16	30	25.4	51	---	---	---	64	8.9	---	110	1.6
RK 30LD-202 RK 30RD-202	175	115	63.8	85.1	70	32	12	32	35.1	55	25.9	29.0	55	---	8.4	35.1	---	3.5

●油缸內徑Φ14-Φ45 ●最大操作壓力250kg/cm² ●Bore of cylinder(mm):Φ14-Φ45 ●Max pressure:250kg/cm²

●油缸內徑Φ14-Φ45 ●最大操作壓力250kg/cm² ●Bore of cylinder(mm):Φ14-Φ45 ●Max pressure:250kg/cm²



產品簡介

- ◆外螺紋缸體可以使你很方便地將油缸直接安裝在工裝夾具的平板上，此系列有單動式和復動式兩種。
- ◆往復式特點：夾緊與鬆卸完全靠油路控制，按照換向閥的方向交替來控制轉角缸的夾緊與鬆卸過程。
- ◆單動式特點：內部系統化比較簡單，沒有卸載系統，卸載時靠彈簧回力完成鬆卸行程；外部管路的閥門及附件較少使配套系統比較簡單。單動式可以空載回程。
- ◆缸體材質合用碳鋼，經滲碳氮化處理，表面硬度高，缸體內面硬度高耐磨損。
- ◆壓板需增加長度時，請勿大於原長度之1.5倍。

Introduction of product

- ◆Threaded body can help you to use the screw of cylinder body and locknut to fix swing clamp on fixture plate. It has single and double acting type.
- ◆Feature of the doubling acting type. Oil circuits control clamping and unclamping, you can control the clamping and unclamping by changing the direction value.
- ◆Feature of the single acting type. The design of the interior system is simple. It is not necessary to design for unclamping. It can return back to original position by spring and the system design is simple because of few accessories.
- ◆The material of the cylinder body is carbon steel and treated by nicarbing. The hardness of the outside and inside surface of the cylinder is high and the cylinder is antiabrasive.
- ◆Please don't exceed 1.5 times of the original length, if you need to increase the length of the clamping arm.

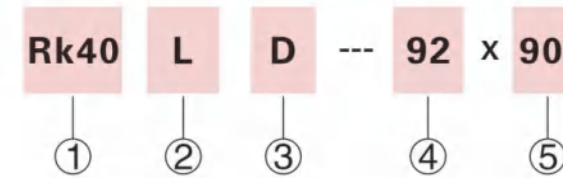
特性資料 Specification 單動系列 Single Acting

油缸類型 Type of cylinder	RK 40LS-22 RK 40RS-22	RK 40LS-52 RK 40RS-52	RK 40LS-92 RK 40RS-92	RK 40LS-121 RK 40RS-121	RK 40LS-202 RK 40RS-202
油缸內徑 Bore of cylinder(mm)	Φ14	Φ22	Φ32	Φ32	Φ45
活塞杆徑 Bore of piston(mm)	Φ10	Φ16	Φ25	Φ22	Φ32
垂行程 Clamping stroke (mm)	8	10	12	13	14
總行程 Total stroke (mm)	16.5	22.6	22.1	28.4	27.9
受壓面積拉入 Pressure area pull cm ²	0.75	1.79	3.13	4.24	7.86
理論夾持力 Theoretical clamping 250kg/cm ²	173kg	380kg	710kg	970kg	1830kg
使用流體 Fluid	已濾清之標準液壓油 Filtered oil				
使用溫度範圍 Range of temperature	-10~+60℃				
使用壓力範圍 Range of pressure(kg/cm ²)	70--250kg/cm ²				
轉角角度 Rotating angle	標準角度 Standard angle 90°(±2°) 訂做角度 order angle 30°(±2°)、45°(±2°)、60°(±2°)				

特性資料 Specification 復動系列 Double Acting

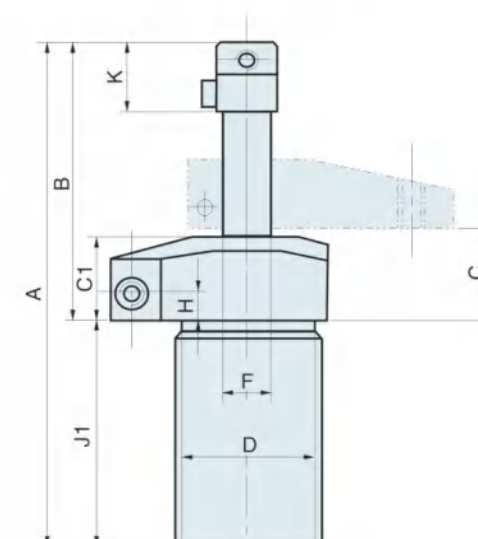
油缸類型 Type of cylinder	RK 40LD-22 RK 40RD-22	RK 40LD-52 RK 40RD-52	RK 40LD-92 RK 40RD-92	RK 40LD-121 RK 40RD-121	RK 40LD-202 RK 40RD-202
油缸內徑 Bore of cylinder(mm)	Φ14	Φ22	Φ32	Φ32	Φ45
活塞杆徑 Bore of piston(mm)	Φ10	Φ16	Φ25	Φ22	Φ32
垂行程 Clamping stroke (mm)	8	10	12	13	14
總行程 Total stroke (mm)	16.5	22.6	22.1	28.4	27.9
受壓面積拉入/推出 Pressure area pull/push cm ²	0.75/1.53	1.79/3.79	3.13/8.03	4.24/8.03	7.86/15.89
理論夾持力 Theoretical clamping 250kg/cm ²	180kg	445kg	780kg	1060kg	1960kg
使用流體 Fluid	已濾清之標準液壓油 Filtered oil				
使用溫度範圍 Range of temperature	-10~+60℃				
使用壓力範圍 Range of pressure(kg/cm ²)	70--250kg/cm ²				
轉角角度 Rotating angle	標準角度 Standard angle 90°(±2°) 訂做角度 order angle 30°(±2°)、45°(±2°)、60°(±2°)				

訂購標示法 Ordering Code

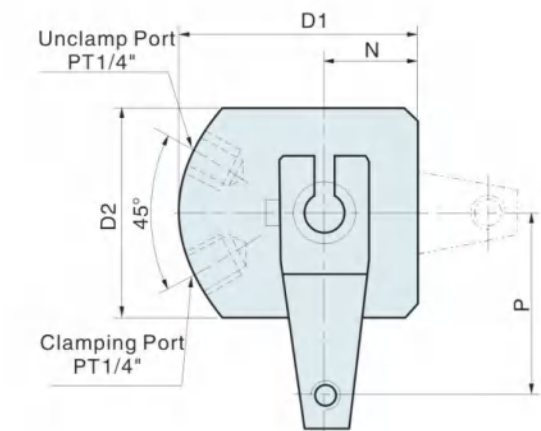
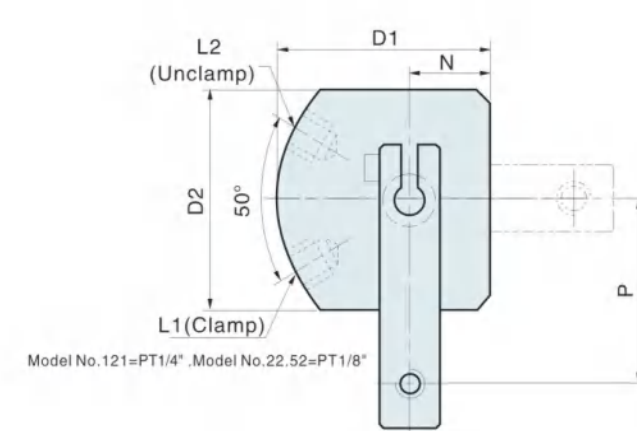
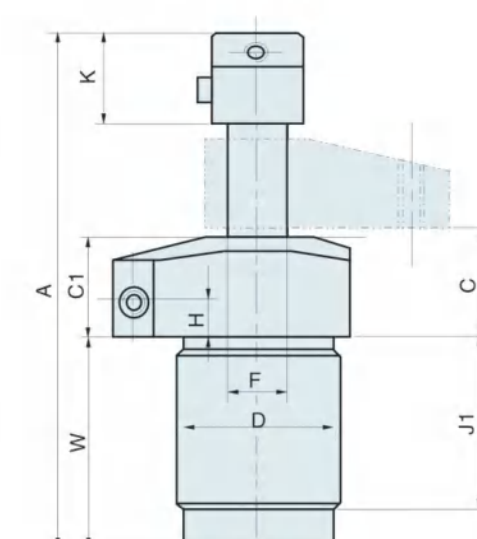


① 系列號 Series	RK 40	
② 轉角方向 Rotating direction	右轉R或左轉L Turn right R or Turn left L	
③ 作動方式 Acting type	單動式 S:Single acting	復動式 D:Double acting
④ 型號 Type	22,52,92,121,202	
⑤ 轉角角度 Rotating angle	標準角度 Standard angle 90° 訂做角度 order angle 30°、45°、60°	

Model No.22,52,121



Model No.92,202



RK 40外螺紋固定轉角缸 RK 40 Hydraulic Swing Clamp Thread-body

●油缸內徑Φ14-Φ45 ●最大操作壓力250kg/cm² ●Bore of cylinder(mm):Φ14-Φ45 ●Max pressure:250kg/cm²

外形尺寸表 Dimension table 單動式 Single acting

單位 (Unit) :mm

ITEM MODEL	A	B	C	C1	D	D1	D2	ΦF	H	J1	K	N	P	W	Weight
RK40LS-22 RK40RS-22	112	59	26	25	M28x1.5	39.4	33	10	10	53	16	15.5	25	---	0.5
RK40LS-52 RK40RS-52	135	69	27	25	M35x1.5	47.5	38	16	10	66	19	19.1	40	---	1.1
RK40LS-92 RK40RS-92	143	80	33	30	M48x1.5	62.5	48	25	13	43	25	23.9	45	63	2.0
RK40LS-121 RK40RS-121	171	86	27	25	M48x1.5	60.5	51	22	10	86	30	25.4	50	---	1.6
RK40LS-202 RK40RS-202	167	93	35	32	M65x1.5	75.9	65	32	13	55	32	32.5	55	71.9	3.2

外形尺寸表 Dimension table 復動式 Single acting

單位 (Unit) :mm

ITEM MODEL	A	B	C	C1	D	D1	D2	ΦF	H	J1	K	N	P	W	Weight
RK40LD-22 RK40RD-22	112	59	26	25	M28x1.5	39.4	33	10	10	53	16	15.5	25	---	0.5
RK40LD-52 RK40RD-52	135	69	27	25	M35x1.5	47.5	38	16	10	66	19	19.1	40	---	1.1
RK40LD-92 RK40RD-92	143	80	33	30	M48x1.5	62.5	48	25	13	43	25	23.9	45	63	2.0
RK40LD-121 RK40RD-121	171	86	27	25	1 7/8-16	60.5	51	22	10	86	30	25.4	50	---	1.6
RK40LD-202 RK40RD-202	167	93	35	32	M65x1.5	75.9	65	32	13	55	32	32.5	55	71.9	3.5

RK 50頂部法蘭轉角缸 RK 50 Hydraulic Swing Clamp Upper Flange

●油缸內徑Φ14-Φ45 ●最大操作壓力250kg/cm² ●Bore of cylinder(mm):Φ14-Φ45 ●Max pressure:250kg/cm²

產品簡介

- ◆當空間非常小時,050系列具備最小的安裝高度;但須預留孔放置轉角缸;缸體的主結構可隱藏在工作臺面;安裝簡單,祇用三四個螺栓就能固定;對稱法蘭設計使轉角缸採用三點或四點螺栓對稱固定。050分為單動式和復動式兩種。
- ◆往復式特點:夾緊與鬆卸完全靠油路控制,按照換向閥的方向交替來控制轉角缸的夾緊與鬆卸過程。
- ◆單動式特點:內部系統化比較簡單,沒有卸載系統,卸載時靠彈簧回力完成鬆卸行程;外部管路的閥門及附件較少使配套系統比較簡單。單動式可以空載回程。
- ◆缸體材質合用碳鋼,經滲碳氮化處理,表面硬度高,缸體內面硬度高耐磨損。
- ◆壓板需增加長度時,請勿大於原長度之1.5倍。

Introduction of product

- ◆050 series owns smallest height for mounting when space is limited, but it is necessary to manufacture a hole for installing swing clamp on fixture plate and the cylinder body can be inserted into the fixture plate. Installing is very simple. You just need 3 or 4 PCS of bolts to fix your swing clamp cylinder. It has single acting and double acting type.
- ◆Feature of the doubling acting type. Oil circuits control clamping and unclamping, you can control the clamping and unclamping by changing the direction value.
- ◆Feature of the single acting type. The design of the interior system is simple. It is not necessary to design for unclamping. It can return back to original position by spring and the system design is simple because of few accessories. It can return back to position under free load.
- ◆The material of the cylinder body is carbon steel and treated by nitriding. The hardness of the outside and inside surface of the cylinder is high and the cylinder is antiabrasive.
- ◆Please don't exceed 1.5 times of the original length, if you need to increase the length of the clamping arm.

特性資料 Specification 單動系列 Single Acting

油缸類型 Type of cylinder	RK50LS-22 RK50RS-22	RK50LS-52 RK50RS-52	RK50LS-92 RK50RS-92	RK50LS-121 RK50RS-121	RK50LS-202 RK50RS-202
油缸內徑 Bore of cylinder(mm)	Φ14	Φ22	Φ32	Φ32	Φ45
活塞杆徑 Bore of piston(mm)	Φ10	Φ16	Φ25	Φ22	Φ32
垂直行程 Clamping stroke (mm)	8.1	9.9	11.9	12.7	14.0
總行程 Total stroke (mm)	16.5	22.6	22.1	28.4	27.9
受壓面積拉入 Pressure area pull cm ²	0.75	1.79	3.13	4.24	7.86/15.89
理論夾持力 Theoretical clamping 250kg/cm ²	173kg	380kg	710kg	970kg	1830kg
使用流體 Fluid	已濾清之標準液壓油 Filtered oil				
使用溫度範圍 Range of temperature	-10~+60℃				
使用壓力範圍 Range of pressure(kg/cm ²)	70--250kg/cm ²				
轉角角度 Rotating angle	標準角度 Standard angle 90°(±2°) 訂做角度 order angle 30°(±2°)、45°(±2°)、60°(±2°)				

特性資料 Specification 復動系列 Double Acting

油缸類型 Type of cylinder	RK50LD-22 RK50RD-22	RK50LD-52 RK50RD-52	RK50LD-92 RK50RD-92	RK50LD-121 RK50RD-121	RK50LD-202 RK50RD-202
油缸內徑 Bore of cylinder(mm)	Φ14	Φ22	Φ32	Φ32	Φ45
活塞杆徑 Bore of piston(mm)	Φ10	Φ16	Φ25	Φ22	Φ32
垂直行程 Clamping stroke (mm)	8	9.9	11.9	12.7	14.0
總行程 Total stroke (mm)	16.5	22.6	22.1	28.4	27.9
受壓面積拉入/推出 Pressure area pull/push cm ²	0.75/1.53	1.79/3.79	3.13/8.03	4.24/8.03	7.86/15.89
理論夾持力 Theoretical clamping 250kg/cm ²	180kg	445kg	780kg	1060kg	1960kg
使用流體 Fluid	已濾清之標準液壓油 Filtered oil				
使用溫度範圍 Range of temperature	-10~+60℃				
使用壓力範圍 Range of pressure(kg/cm ²)	70--250kg/cm ²				
轉角角度 Rotating angle	標準角度 Standard angle 90°(±2°) 訂做角度 order angle 30°(±2°)、45°(±2°)、60°(±2°)				

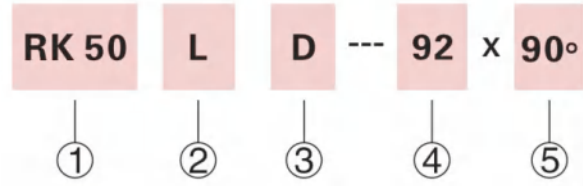
RK 50頂部法蘭轉角缸 RK 50 Hydraulic Swing Clamp Upper Flange

RK 50頂部法蘭轉角缸 RK 50 Hydraulic Swing Clamp Upper Flange

●油缸內徑Φ14-Φ45 ●最大操作壓力250kg/cm² ●Bore of cylinder(mm):Φ14-Φ45 ●Max pressure:250kg/cm²

●油缸內徑Φ14-Φ45 ●最大操作壓力250kg/cm² ●Bore of cylinder(mm):Φ14-Φ45 ●Max pressure:250kg/cm²

訂購標示法 Ordering Code



① 系列號 Series	RK 50
② 轉角方向 Rotating direction	右轉R或左轉L Turn right R or Turn left L
③ 作動方式 Acting type	單動式 S:Single acting 復動式 D:Double acting
④ 型號 Type	22,52,92,121,202
⑤ 轉角角度 Rotating angle	標準角度 Standard angle 90° 訂做角度 order angle 30°、45°、60°

外形尺寸表 Dimension table 單動式 Single acting

單位 (Unit) :mm

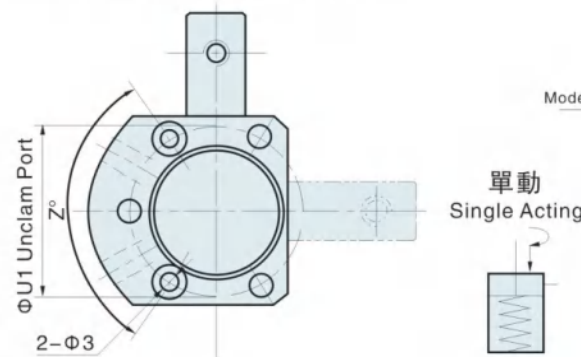
ITEM MODEL	A	B	C	ΦD	D1	D2	ΦF	H	K	N	P	R	S	U	ΦU1	ΦV	W	X	Z°
RK50LS-22 RK50RS-22	118	65	31	27.9	47.2	45	10	11	16	15.5	40	---	---	---	40	5.5	53.1	---	60
RK50LS-52 RK50RS-52	145	79	33.5	34.8	54.1	57	16	11	22.2	19.1	49	---	---	---	50	6.8	66.0	---	110
RK50LS-92 RK50RS-92	153	84	35	47.8	70.1	54	25	12	25	26.9	45	23.6	23.6	42	---	6.9	68.5	28.7	---
RK50LS-121 RK50RS-121	171.5	86	38.5	47.8	66.8	73	22	12	30	25.4	51	---	32	---	64	8.8	85.9	---	110
RK50LS-202 RK50RS-202	169	90	29	63.0	85.1	70	32	13	32	35.1	55	29.2	29.2	55	---	8.5	79.0	35.6	---

外形尺寸表 Dimension table 復動式 Double acting

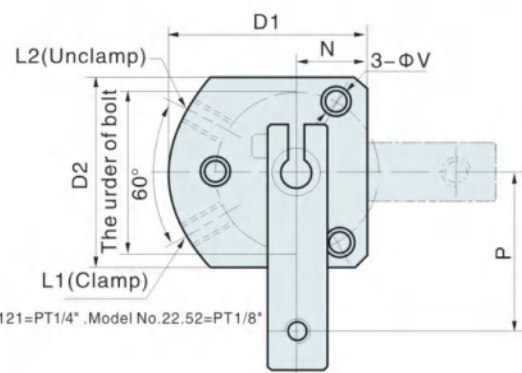
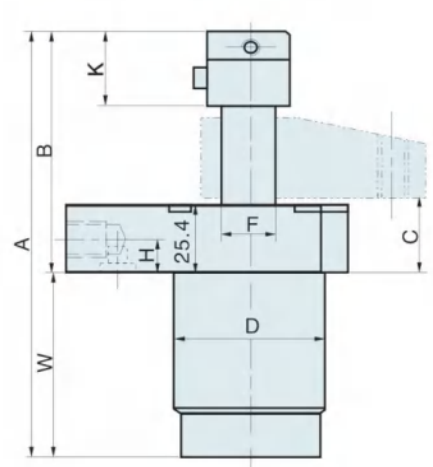
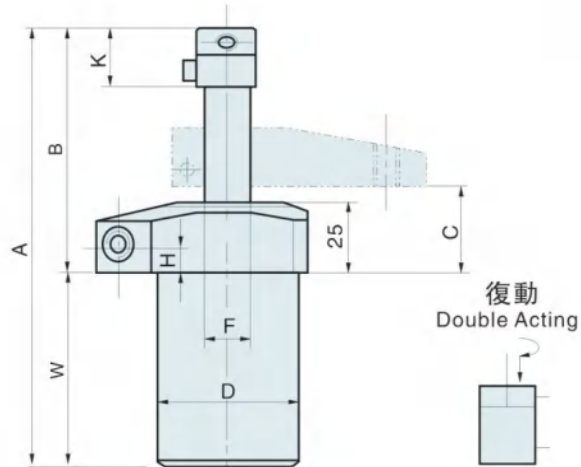
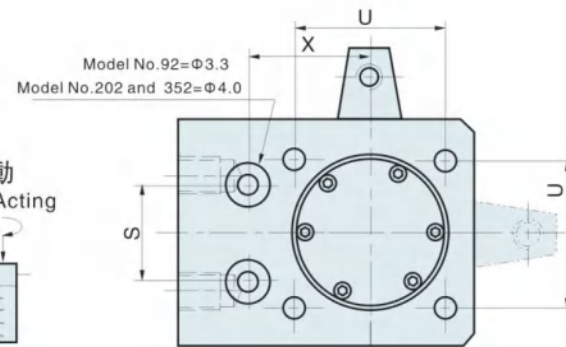
單位 (Unit) :mm

ITEM MODEL	A	B	C	ΦD	D1	D2	ΦF	H	K	N	P	R	S	U	ΦU1	ΦV	W	X	Z°
RK50LD-22 RK50RD-22	118	65	31	27.9	47.2	45	10	11	16	15.5	40	---	---	---	40	5.5	53.1	---	60
RK50LD-52 RK50RD-52	145	79	33.5	34.8	54.1	57	16	11	22.2	19.1	49	---	---	---	50	6.8	66.0	---	110
RK50LD-92 RK50RD-92	153	84	35	47.8	70.1	54	25	12	25	26.9	45	23.6	23.6	42	---	6.9	68.5	28.7	---
RK50LD-121 RK50RD-121	171.5	86	38.5	47.8	66.8	73	22	12	30	25.4	51	---	---	---	64	8.8	85.9	---	110
RK50LD-202 RK50RD-202	169	90	29	63.0	85.1	70	32	13	32	35.1	55	29.2	29.2	55	---	8.5	79.0	35.6	---

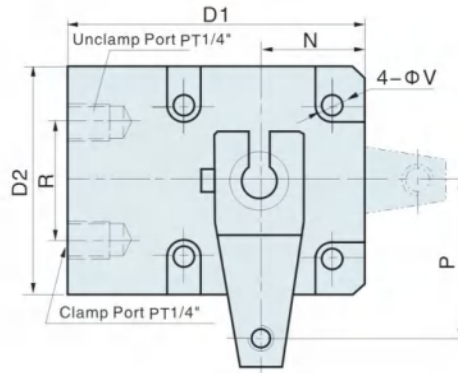
Model No.-22,52,121



Model No.-92,202



Model No. 121=PT1/4". Model No. 22,52=PT1/8"



RPS高壓角缸 RPS High Pressur Swing Clamp Cylinder

●油缸內徑Φ25-Φ63 ●最大操作壓力250kg/cm² ●Bore of cylinder(mm):Φ25-Φ63 ●Max pressure:250kg/cm²
 注: 操作壓力P: (250<P<500)可訂做

產品簡介

- 此型式油壓缸適用於夾持工件取放空間保持靜空,方便工件取放高壓夾持。
- 油壓缸夾持動作為下壓式,含有旋轉行程(請勿夾持工件)以及垂直下壓行程。
- 本產品使用德制油封及進口零件,缸體內壁經特殊加工處理表面光滑,確保使用性能及壽命。
- 最大充油速度請參考特性資料,請勿使用過大充油速度,以免回轉過快,如有回轉不確定,請安裝流量控制閥,降低充油速度。
- 壓板長度需增加時,請勿大於原長度之1.5倍。



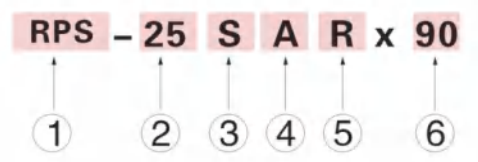
Introduction of product

- The series of swing clamp cylinder is ideal for workpiece clamping which requires a sufficient space for convenient workpiece loading and unloading and high pressure clamping.
- It provides swing motion (do not clamp workpiece) and certocal hold down motion.
- The swing clamp cylinder employs Germany oil seal and imported parts.The inside surface of cylinder barrel is specially treated,featuring maximum smoothness, high performance and long service lofe.
- For maximum oil feeding speed, refer to specifications.Do not exceed oil feeding speed to avoid too high swing speed.In case improper swing speed occurs,it is suggested to equip with an additional oil flow control valve to erduce oil feeding speed.
- When increasing length of clamping arm is required, be sure not to exceed 1.5 times of the original length.

特性資料 Specification

油缸內徑 Bore of cylinder(mm)	Φ25	Φ40	Φ50	Φ63	
活塞杆徑 Bore of piston(mm)	Φ20	Φ32	Φ40	Φ50	
轉角行程 Swing stroke(mm)	7	8	11	9	
垂直行程 Clamping stroke (mm)	11	14	15	15	
受壓面積拉入/推出 Pressure area pull/push cm ²	1.77/4.9	4.52/12.56	7.07/19.63	11.54/31.16	
理論夾持力 Theoretical clamping 250kg/cm ²	單動 Single acting	380kg	940kg	1580kg	2560kg
	復動 Double acting	440kg	1100kg	1760kg	2880kg
最大充油速度 Max oil filling speed cc/s	3.2	10	18.4	27.7	
下壓需求量 Downward clamping oil required cc	3.2	10	18.4	27.7	
回復需求量 Return oil required cc	8.8	27.7	51	74.8	
使用流體 Fluid	已濾清之標準液壓油 Filtered oil				
使用溫度範圍 The range of temperature	-10~+60℃				
使用壓力範圍 Range of pressure(kg/cm ²)	70--250kg/cm ²				
轉角方向 Rotating direction	順時針右轉R或逆時針左轉L Turn right R or turn left L				
轉角角度 Rotating angle	標準角度 Standard angle 90°(±2°)訂做角度 order angle 30°(±2°)、45°(±2°)、60°(±2°)				
作動方式 Acting type	單動S或復動D Single Acting S or Double Acting D				

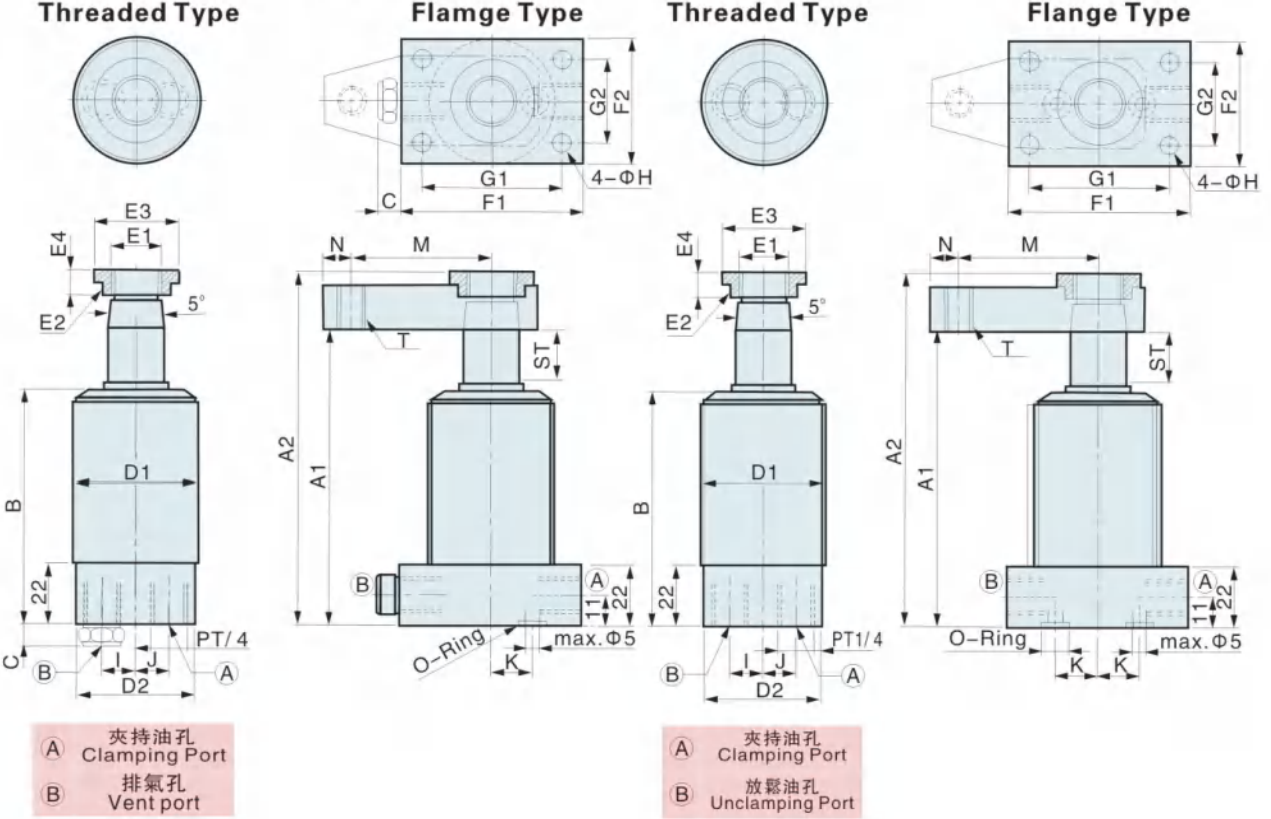
訂購標示法 Ordering Code



1	系列別 Series	RPS
2	油缸內徑 Bore of cylinder	Φ25. Φ40. Φ50. Φ63
3	作動方式 Acting type	單動 S:Single-acting
		雙動 D:Double-acting
4	安裝型式 Mounting type	全牙型 A:Threaded type
		底座型 B:配管型 Line type
		Flange C:油路板型 Manifold type
5	轉角方向 Rotating direction	順時針右轉R或逆時針左轉L Turn right r or turn left L
6	轉角角度 Rotating angle	標準角度90°(±2°) Standard angle 90°(±2°)

RPS高壓角缸 RPS High Pressur Swing Clamp Cylinder

●油缸內徑Φ25-Φ63 ●最大操作壓力250kg/cm² ●Bore of cylinder(mm):Φ25-Φ63 ●Max pressure:250kg/cm²
 注: 操作壓力P: (250<P<500)可訂做



外形尺寸表 Dimension table

ITEM	MODEL	RPS-25	RPS-32	RPS-40	RPS-50	RPS-63
ST:Swing/ClampIng		18:7/11	22:9/13	22:8/14	26:11/15	24:9/15
A1 鬆開狀態 unclamp		105.5	120.5	119.5	138	142
A2 鬆開狀態 unclamp		126.5	146.5	147.5	172	182
B		84.5	97	94.5	110	116
C		8	8	8	8	8
D1		M45X1.5	M52X1.5	M60X1.5	M80x2.0	M90x2.0
D2		Φ43	Φ50	Φ58	Φ77	Φ88
E1		M18X1.5	M22X1.5	M28X1.5	M35X1.5	M45X1.5
E2		Φ23.5	Φ28.5	Φ33.5	Φ45.5	Φ55.5
E3		30	33.5	40	55	68
E4		9	10	10	11	12
F1		65	73	85	100	115
F2		45	53	63	80	90
G1		50	57	65	80	90
G2		30	37	44	60	68
H		Φ6.5	Φ9	Φ8.5	Φ13.5	Φ16
I		13	14.5	12.5	19	25.5
J		13	16	19.5	26.5	34
K		15	20	28	31	37.5
O-Ring		S7	S7	S7	S7	S7
M		50	65	75	95	120
N		10	10	15	15	18
T		M10X1.5	M10X1.5	M16X2	M16X2	M20X2.5

RDF高壓轉角缸(過載保護功能)High Pressure Swing Clamping Cylinder

● 油缸內徑 Φ30-Φ63 ● 最大壓力 35MPa ● Bore of cylinder (mm) : Φ30-Φ63 ● Max pressure: 35MPa

產品簡介

- ◆ 此型式油壓缸適用於夾持工件取放空間保持靜空,方便工件取放高壓夾持。油壓缸夾持動作為下壓式,含有旋轉行程(請勿夾持工件)以及垂直下壓行程。
- ◆ 本產品使用德制油封及進口零件,缸體內壁經特殊加工處理表面光滑,確保使用性能及壽命。
- ◆ 最大充油速度請參考特性資料,請勿使用過大充油速度,以免回轉過快,如有回轉不準確,請安裝流量控制閥,降低充油速度。
- ◆ 壓板強度需增加時,請勿大於原長度之1.5倍。
- ◆ 此產品設計有過載保護裝置

Introduction of product

- This series of swing clamp cylinder is ideal for work piece clamping which requires a sufficient space for convenient work piece loading and unloading and high pressure clamping. It provides swing motion(do not clamp work piece during the swing motion)and vertical hold down motion. The swing clamp cylinder employs Germany oil seal and imported parts.
- ◆ The inside surface of cylinder body is specially treated,featuring maximum smoothness,high performance and long service life.
- ◆ For maximum oil feeding speed,refer to specifications.Do not exceed oil feeding speed to avoid too high swing speed. In case improper swing speed occurs,it is suggested to equip with an additional oil flow control valve to reduce oil feeding speed.
- ◆ If increasing the clamping arm is required,be sure not to exceed 1.5 times of the original length
- ◆ This product employs the overload protection function design.

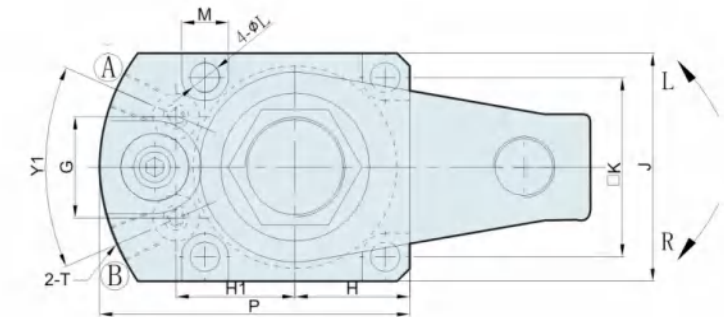
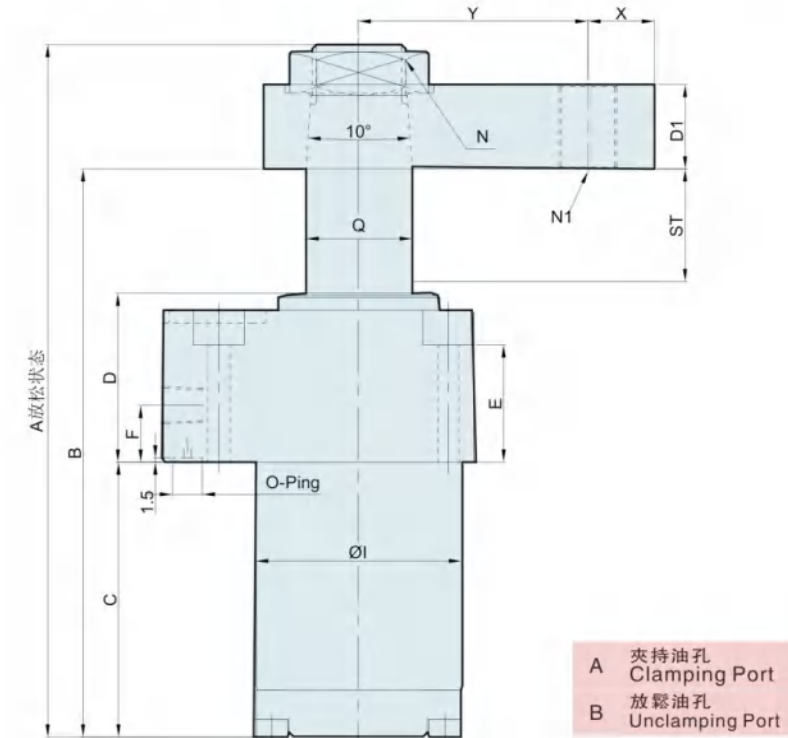


特性資料 Specification

油缸內徑 Bore of cylinder (mm)	Φ30	Φ35	Φ40	Φ45	Φ50	Φ63
活塞杆徑 Dia of piston (mm)	Φ20	Φ25	Φ28	Φ32	Φ35	Φ45
轉角行程 Swing stroke (mm)	10	10	12	12	12	12
垂直行程 Clamping stroke (mm)	15	15	16	18	18	18
受壓面積拉入/推出 Pressure area pull/push cm ²	4.46/7.6	4.72/9.62	6.4/12.56	7.85/15.89	10.06/19.67	12.27/31.16
理論夾持力 Theoretical clamping 35MPa/cm ² 單動 Single acting	980kg	1100kg	1500kg	1850kg	2300kg	2900kg
理論夾持力 Theoretical clamping 35MPa/cm ² 復動 Double acting	1100kg	1180kg	1600kg	1962kg	2500kg	3065kg
最大充油速度 Max oil filling speed cc/s	3.2	6.9	10	14	18.4	27.7
使用流體 Fluid	已濾清之標準液壓油 Filtered oil					
使用溫度範圍 The range of temperature	-10~+60°C					
使用壓力範圍 Range of pressure (MPa/cm ²)	7~35MPa/cm ²					
轉角方向 Rotating direction	左轉L或右轉R Turn right L or turn left R					
轉角角度 Rotating angle	標準角度 Standard angle 90° 選擇角度 Optional angle 0° ,45° ,60°					
作動方式 Acting type	單動S或復動D Dingle Acting S or Double Acting D					

RDF高壓轉角缸(過載保護功能)High Pressure Swing Clamping Cylinder

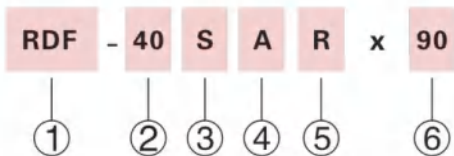
● 油缸內徑 Φ30-Φ63 ● 最大壓力 35MPa ● Bore of cylinder (mm) : Φ30-Φ63 ● Max pressure: 35MPa



外形尺寸表 Dimension table

MODEL	ITEM	ST:	A	B	C	D	D1	E	F	G	H	H1	I	J	K	L	M	O	P	Q	N	N1	X	Y	Y1	T
RDF-22FD		25:10/15	162	134	65	40	18	30	15	23.6	27	28.7	Φ48.5	54	42	Φ7	Φ11	P5	73	22	M18*1.5	M8	12	50	44°	PT 1/8
RDF-25FD		25:10/15	164	134	65	40	20	30	13.5	23.6	27	28.7	Φ48.5	54	42	Φ7	Φ11	P5	73	22	M22*1.5	M8	12	50	44°	PT 1/8
RDF-28FD		28:12/16	181	146	74	40	23	26	15	29.2	35	35.6	Φ63	70	55	Φ9	Φ14	P7	78	28	M22*1.5	M10	12	58	46°	PT 1/8
RDF-32FD		30:12/18	189	151	74	40	25	26	15	32.2	37	37.6	Φ65	74	55	Φ11	Φ17	P7	87	32	M27*1.5	M12	14	66	46°	PT 1/4
RDF-35FD		36:14/22	227	186	104	40	30	26	15	34.2	44	41.7	Φ75	88	70	Φ11	Φ17	P7	108	35	M30*1.5	M14	15	75	34°	PT 1/4
RDF-45FD		36:14/22	227	186	104	42	35	28	15	42.4	50	52.4	Φ90	100	78	Φ13	Φ20	P7	123	45	M30*1.5	M14	20	80	44°	PT 1/4

訂購標示法 Ordering Code



1	系列號 Series	RDF	
2	油缸內徑 Bore of cylinder	Φ30, Φ35, Φ40, Φ45, Φ50, Φ63	
3	作動方式 Acting type	單動	S:Single-acting
		雙動	D:Double-acting
4	安裝型式 Mounting type	底座型 Flange	A:配管型 Line type
			B:油路板型 Manifold type
5	轉角方向 Rotating direction	右轉R或左轉L Turn right R or turn left L	
6	轉角角度 Rotating angle	標準角度90°(±2°) Standard angle 90°(±2°)	

RFS高壓轉角缸 RFS High Pressure Swing Clamping Cylinder

●油缸內徑Φ25-Φ40 ●最大操作壓力210kg/cm² ●Bore of cylinder(mm):Φ25-Φ40 ●Max pressure:210kg/cm²

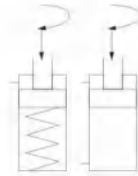
產品簡介



- ◆向左或向右旋轉後垂直下壓達到夾持目的。
- ◆標準角度90°，可訂做角度30°、45°、60°。
- ◆缸體為高級碳鋼材質，表面硬化處理。
- ◆壓板加長時，G值勿超過原有規格1.2倍。
- ◆入油口請加裝流量控制閥，控制轉角速度，避免慣性撞擊。
- ◆下壓夾持時，應于垂直行程內夾緊工件。
- ◆每次上下工作時，務必以氣槍清潔活塞杆處油封上的鐵屑異物，避免下次使用異物嵌入油封。

Introduction of product

- ◆During clamp retraction, the piston rod rotates, causing the clamping arm to swing in either a clockwise or counterclockwise direction. Clamping then takes place as the rod continues to retract in a straight line, pulling the arm against the workpiece.
- ◆Standard angle 90°, available models offer angles of rotation of 30°, 45°, 60°.
- ◆The cylinder body is made of carbon steel, and the surface is hard membrane treated.
- ◆When it is necessary to change the length of the clamping arm, it should be noted that do not exceed 1.2 times of the original G value in order to avoid the serious slanting of the piston rod.
- ◆Suggested to add a flow control valve to the hydraulic inlet to control the motion of the swing angle in order to prevent the inertial impact.
- ◆A workpiece should not be clamped within a swing stroke, and it should be clamped within the vertical downward clamping stroke.
- ◆Whenever placing and taking off a workpiece, it is necessary to use an air gun to clean the piston and the seal for removing the iron slag or foreigner objects attached thereon in order to prevent the foreigne form entering the seal to cause oil leakage.



特性資料 Specification

油缸類型 Type of cylinder	四方底座型 Flang type	RFS-25A	RFS-32A	RFS-40A	RFS-25B	RFS-32B	RFS-40B
	外螺牙型 Threaded type	RDS-25A	RDS-32A	RDS-40A	RDS-25B	RDS-32B	RDS-40B
油缸內徑 Bore of cylinder(mm)		Φ25	Φ32	Φ40	Φ25	Φ32	Φ40
活塞杆徑 Bore of piston(mm)		Φ18	Φ22	Φ25	Φ18	Φ22	Φ25
轉角行程 Swing stroke(mm)		12	12	12	15	15	15
垂直行程 Clamping stroke (mm)		11	11	11	18	18	18
受壓面積拉入/推出 Pressure area pull/push cm ²		2.37/-	4.24/-	7.65/-	2.37/4.91	4.24/8.04	7.65/12.5
理論夾持力 Theoretical clamping 210kg/cm ²		420kg	760kg	1450kg	495kg	890kg	1600kg
作動方式 Acting type		單動 Single acting			復動 Double acting		
使用流體 Fluid		已濾清之標準液壓油 Filtered oil					
使用溫度範圍 Range of temperature		-10~+60℃					
使用壓力範圍 Range of pressure(kg/cm ²)		70--210 kg/cm ²					
轉角方向 Rotating direction		順時針右轉R或逆時針左轉L Turn right R or turn left L					
轉角角度 Rotating angle		標準角度 Standard angle 90°(±2°)訂做角度 order angle 30°(±2°)、45°(±2°)、60°(±2°)					

訂購標示法 Ordering Code

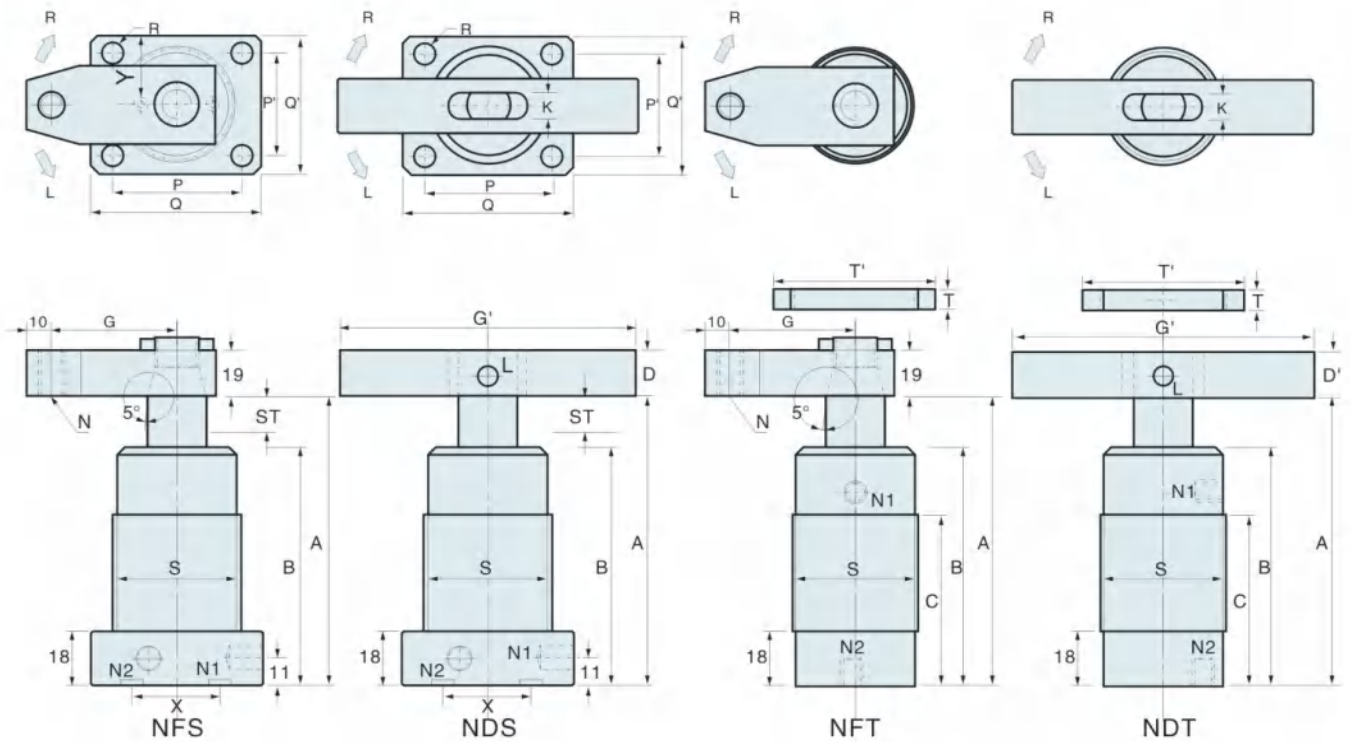
RFS - L - 25 A x 90° F

① ② ③ ④ ⑤ ⑥

1	系列號 Series	RFS, RDS, RFT, RDT
2	轉角方向 Rotating direction	順時針右轉R或逆時針左轉L Turn right R or turn left L
3	油缸內徑 Bore of cylinder	Φ25, Φ32, Φ40
4	作動方式 Acting type	A 單動 Single-acting B 雙動 Double-acting
5	轉角角度 Rotating angle	標準角度 Standard angle 90°(±2°)訂做角度 order angle 30°(±2°)、45°(±2°)、60°(±2°)
6	空白: 配管式	F: 油路板式 (外螺牙型無油路板式)

RFS高壓轉角缸 RFS High Pressure Swing Clamping Cylinder

●油缸內徑Φ25-Φ40 ●最大操作壓力210kg/cm² ●Bore of cylinder(mm):Φ25-Φ40 ●Max pressure:210kg/cm²



外形尺寸表 Dimension table

四方底座型 Flang type	RFS-25A RDS-25A	RFS-32A RDS-32A	RFS-40A RDS-40A	RFS-25B RDS-25B	RFS-32B RDS-32B	RFS-40B RDS-40B
外螺牙型 Threaded Type	RFT-25A RDT-25A	RFT-32A RDT-32A	RFT-40A RDT-40A	RFT-25B RDT-25B	RFT-32B RDT-32B	RFT-40B RDT-40B
ST: Swing/Clamping	23:12/11			33:15/18		
A 鬆開狀態 unclamp	131	127	127	136	136	136
B	102	97	98	102	97	98
C	66	70	72	66	70	72
D'	□19	□22	□25	□19	□22	□25
G	45	50	50	45	50	50
G'	100	120	140	100	120	140
K	9	10	12	9	10	12
L	Φ8	Φ8	Φ10	Φ8	Φ8	Φ10
油孔N1(夾緊 clamp)/N2(放緊 unclamp)	PT1/8	PT1/8	PT1/8	PT1/8	PT1/8	PT1/8
油路板型 Q-ring Manifold	P7	P7	P7	P7	P7	P7
N	M12x1.75	M12x1.75	M12x1.75	M12x1.75	M12x1.75	M12x1.75
P	50	54	66	50	54	66
P'	30	34	40	30	34	40
Q	64	68	84	64	68	84
Q'	46	54	64	46	54	64
R	Φ6.5	Φ8.5	Φ8.5	Φ6.5	Φ8.5	Φ8.5
S	M45x1.5	M50x1.5	M60x1.5	M45x1.5	M50x1.5	M60x1.5
T(x2pcs)	10	11	11	10	11	11
T'	Φ65	Φ70	Φ80	Φ65	Φ70	Φ80
X	35	40	50	35	40	50
Y	23	27	32	23	27	32
Weight 重量kg	1.5	1.9	2.9	1.5	1.9	2.9