

RAS空壓轉角缸RAS Air Swing Clamp cylinder

●氣缸內徑Φ25-Φ63 ●最大操作壓力 7 kg/cm² ●Bore of cylinder (mm):Φ25-Φ63 ●Max pressure: 7 kg/cm²

產品簡介

- ◆主要功能為空壓缸作動時，活塞下壓行程中壓板會旋轉到設計的角度，再沿着直線繼續下壓直到壓板夾緊工件。
- ◆建議使用空壓轉角缸，請加裝流量控制閥，避免速度過快，以及轉角行程中，請勿夾持工件，導致損壞缸體及內部零件。
- ◆壓板需增加長度時，請勿大于原長度之1.5倍。
- ◆缸體材質採用鋁合金，表面硬膜處理，內壁表面光滑，使用壽命長。

Introduction of product

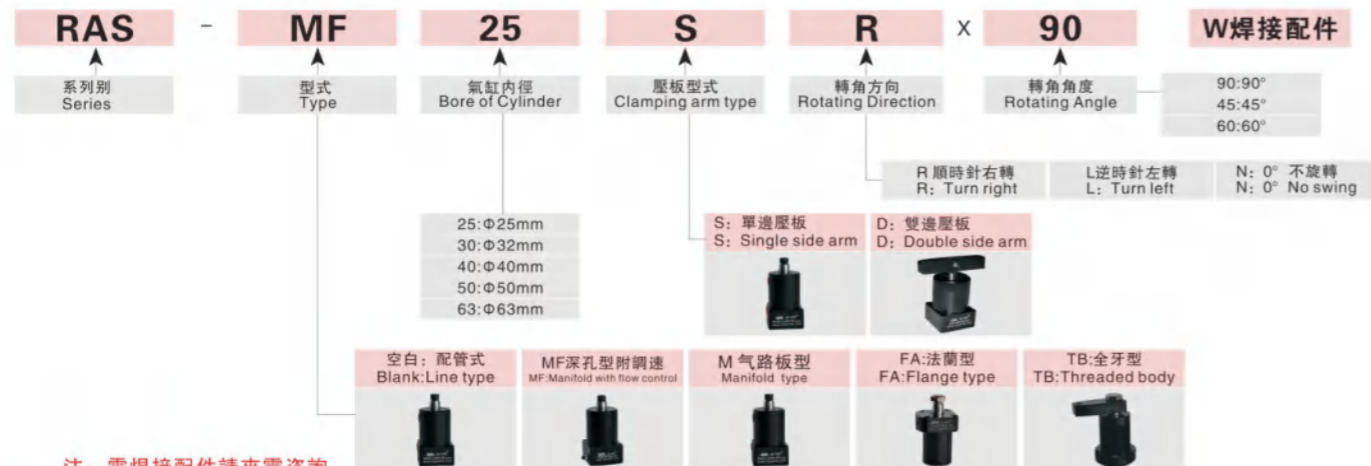
- ◆When the piston push down, the clamping arm will rotate to the design angel, then push down on straight line hold the workpiece.
- ◆You had better install a flow control valve to adjust the acting speed, and don't clamping workpiece when the cylinder is running, Otherwise will be easy to damage the body and the spare parts.
- ◆When you need to increase the length of the clamping arm, please don't exceed 1.5 times of the original length.
- ◆The material of cylinder body is aluminum alloy, surface processed with hardening and internal face is smooth,so the service life of product is long.



特性資料 Specification

氣缸內徑 Bore Ir cylinder (mm)	Φ25	Φ32	Φ40	Φ50	Φ63
活塞杆徑 Bore of piston (mm)	Φ14	Φ16	Φ16	Φ20	Φ20
轉角行程 Swing stroke (mm)	12	12	12	14	15
垂直行程 Clamping stroke (mm)	12	12	12	14	15
受壓面積拉入/推出 Pressure area pull/push cm ²	3.4/4.91	6.04/8.04	10.56/12.57	16.49/19.63	28.03/31.17
理論夾持力 Theoretical clamping 5kg/cm ²	16kg	30kg	50kg	85kg	140kg
使用流體 Fluid	已濾清之壓縮空氣 Filtered air				
使用溫度範圍 Range of temperature	-10~+60℃				
最大耐壓力 Max operation pressure (kg/cm ²)	10kg/cm ²				
使用壓力範圍 Range of pressure (kg/cm ²)	4~7kg/cm ²				
轉角方向 Rotating direction	順時針右轉R或逆時針左轉L Turn right R or turn left L				
轉角角度 Rotating angle	標準角度90° (±2°)訂做角度0°、45° (±2°)、60° (±2°) Standard angle 90° (±2°),order angle 0°、45° (±2°)、60° (±2°)				
作動方式 Acting type	復動式 Doudle acting				

訂購標示法 Ordering Code



注：需焊接配件請來電諮詢。

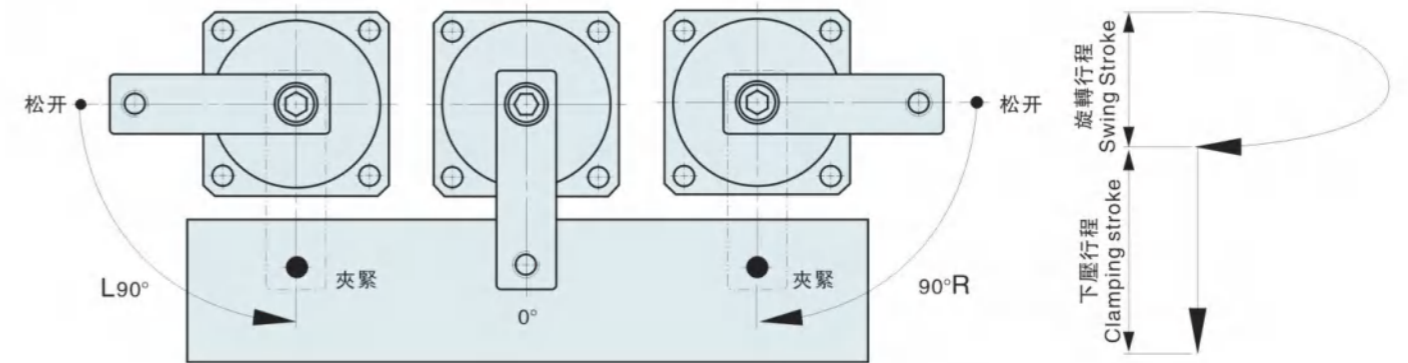
RAS空壓轉角缸RAS Air Swing Clamp cylinder

●氣缸內徑Φ25-Φ63 ●最大操作壓力 7 kg/cm² ●Bore of cylinder (mm):Φ25-Φ63 ●Max pressure: 7 kg/cm²

單邊壓板旋轉示意圖

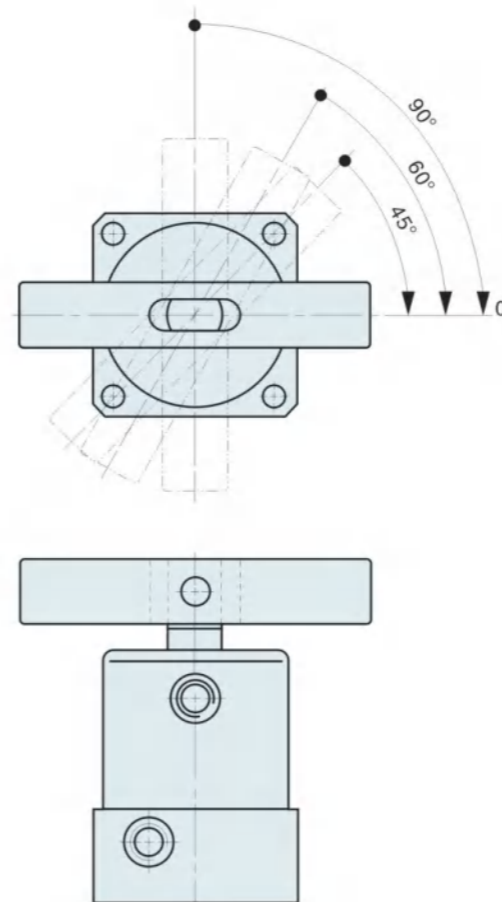
Single Side Swing Clamp

注：轉角方向是指下壓時轉角方向



雙邊壓板旋轉示意圖

Double Side Swing Clamp



壓板鎖緊操作方式

Clamping Arm Mounting Methods



壓板拆卸操作方式

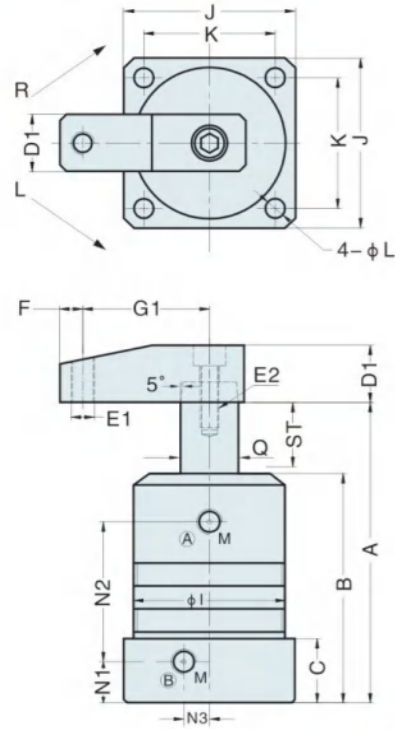
Clamping Arm Removing Methods



RAS空壓轉角缸(配管式)RAS Air Swing Cylinder Manifold Line Type

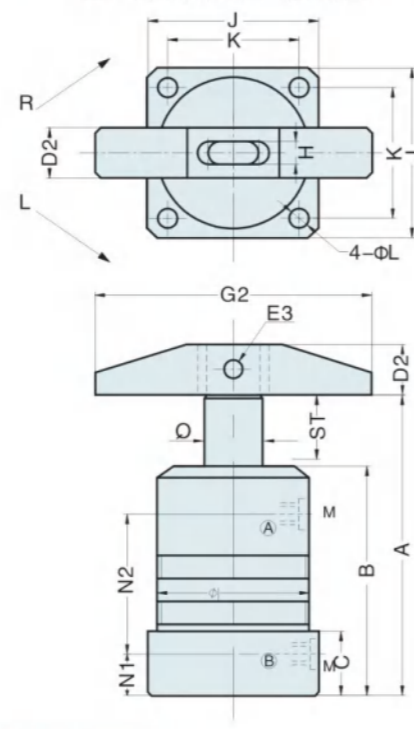
●氣缸內徑Φ25-Φ63 ●最大操作壓力 7 kg/cm² ●Bore of cylinder (mm) : Φ25-Φ63 ●Max pressure: 7 kg/cm²

Single side swing clamp



Double side swing clamp

注：下圖為轉角90° 鬆開狀態



(A) 夾持氣孔 Clamping port (B) 放鬆氣孔 Unclamping port

外形尺寸表 Dimension table

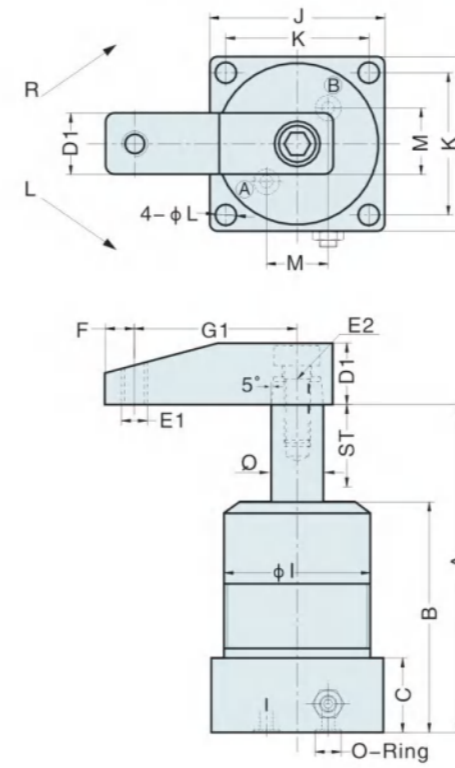
單位 (Unit) : mm

ITEM	MODEL	RAS-25	RAS-32	RAS-40	RAS-50	RAS-63
ST:Swing/Clamping		24:12/12	24:12/12	24:12/12	28:14/14	30:15/15
A鬆開狀態 Unclamp		98	101.5	107	114.5	121
B		66.5	71	75	80	86.5
C		23	23	27	26	30
D1		□16	□19	□19	□25	□25
D2		□19	□19	□19	□22	□22
E1		M6	M8	M8	M10	M10
E2		M6	M8	M8	M10	M10
E3		φ6	φ8	φ8	φ8	φ8
F		8	9	9	10	10
G1		30	50	50	70	70
G2		100	100	100	120	120
H		9	9	9	10	10
I		φ35	φ50	φ55	φ65	φ75
J		40	54	58	69	82
K		31	44	48	55	64
L		φ4.5	φ6.5	φ6.5	φ8.5	φ8.5
M		M5	PT1/8	PT1/8	PT1/8	PT1/8
N1		13	14.5	17	17.5	21
N2		38	44.5	46	50.5	53
N3		7.5	11.5	11	17	21.8
Q		Φ14	Φ16	Φ16	Φ20	Φ20

RAS空壓轉角缸(MF深孔型附調速)RAS Air Swing Clamp Cylinder MF Manifold Winth Flow Control

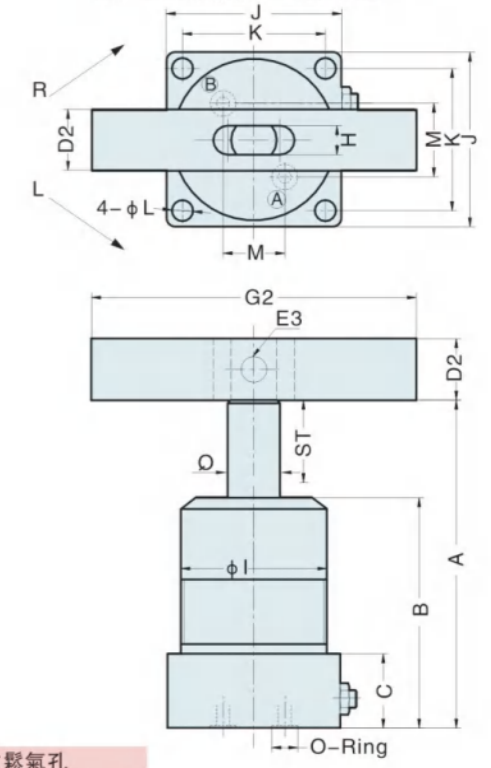
●氣缸內徑Φ32-Φ63 ●最大操作壓力 7 kg/cm² ●Bore of cylinder (mm) : Φ32-Φ63 ●Max pressure: 7 kg/cm²

Single side swing clamp



Double side swing clamp

注：下圖為轉角90° 鬆開狀態



(A) 夾持氣孔 Clamping port (B) 放鬆氣孔 Unclamping port

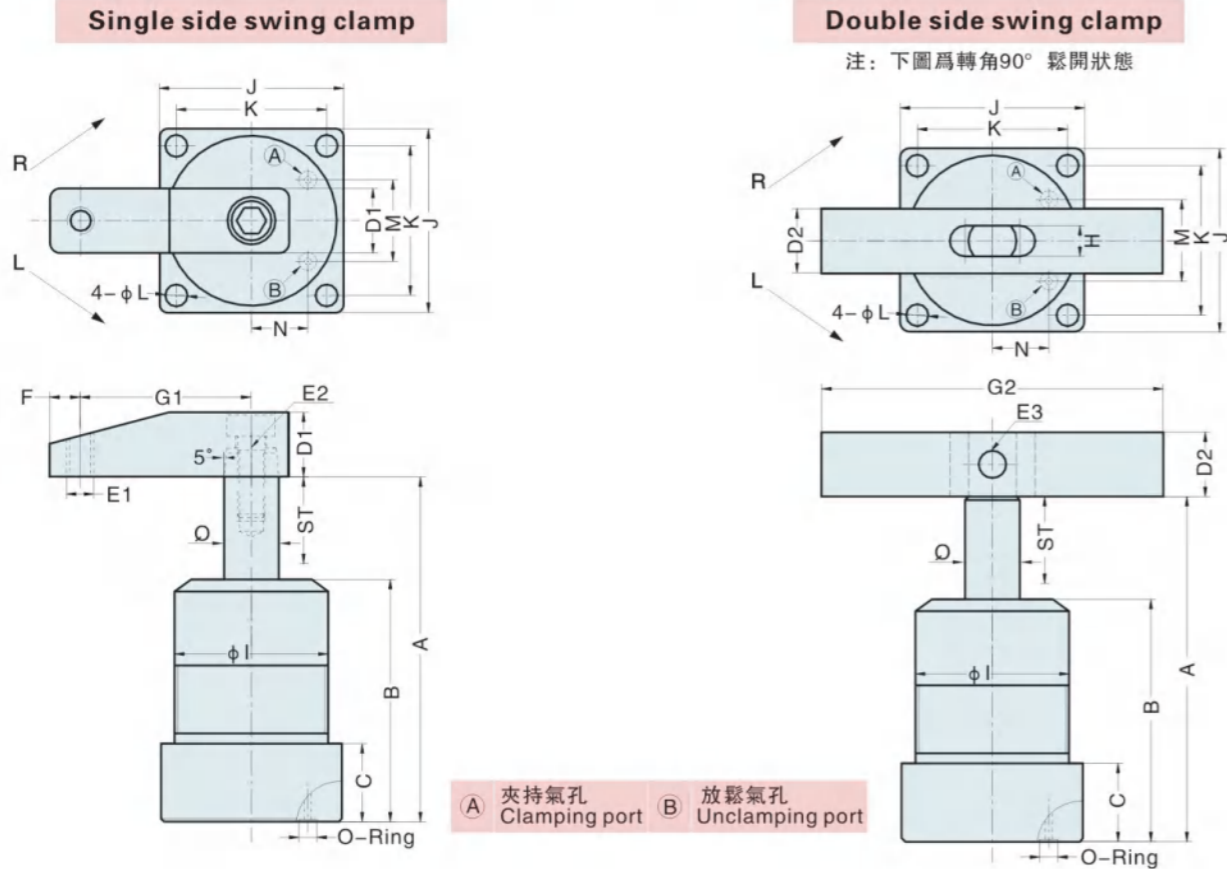
外形尺寸表 Dimension table

單位 (Unit) : mm

ITEM	MODEL	RAS-MF32	RAS-MF40	RAS-MF50	RAS-MF63
ST:Swing/Clamping		24:12/12	24:12/12	28:14/14	30:15/15
A鬆開狀態 Unclamp		101.5	107	114.5	121
B		71	75	80	86.5
C		23	27	26	30
D1		□19	□19	□25	□25
D2		□19	□19	□22	□22
E1		M8	M8	M10	M10
E2		M8	M8	M10	M10
E3		φ8	φ8	φ8	φ8
F		9	9	10	10
G1		50	50	70	70
G2		100	100	120	120
H		9	9	10	10
I		φ50	φ55	φ65	φ75
J		54	58	69	82
K		44	48	55	64
L		φ6.5	φ6.5	φ8.5	φ8.5
M		19	23	28	32
O-Ring		P7	P7	P9	P9
Q		Φ16	Φ16	Φ20	Φ20

RAS空壓轉角缸(M氣路板型)RAS Air Swing Clamp Cylinder M Manifold Type

●氣缸內徑Φ32-Φ63 ●最大操作壓力 7 kg/cm² ●Bore of cylinder (mm):Φ32-Φ63 ●Max pressure: 7 kg/cm²



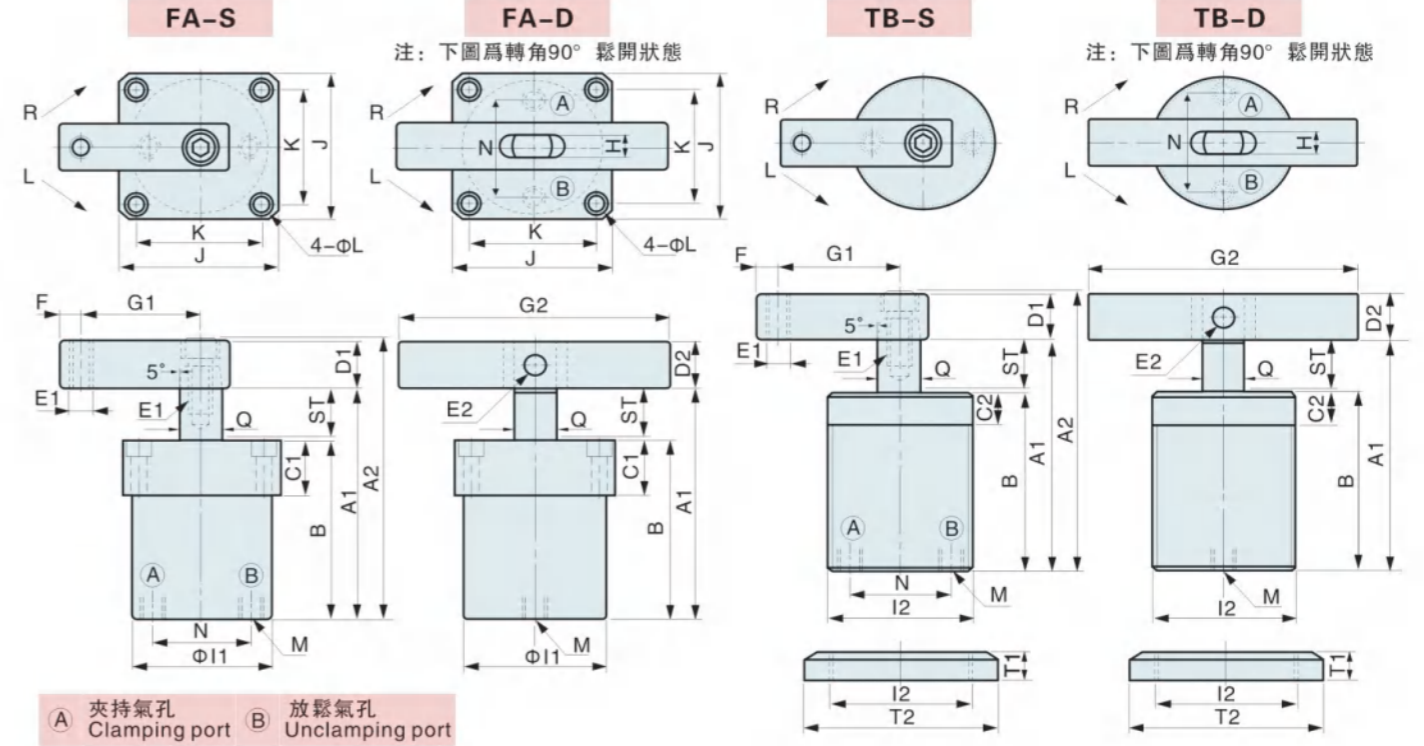
外形尺寸表 Dimension table

單位 (Unit) :mm

ITEM	MODEL	RAS-M32	RAS-M40	RAS-M50	RAS-M63
ST:Swing/Clamping		24:12/12	24:12/12	28:14/14	30:15/15
A鬆開狀態 Unclamp		101.5	107	114.5	121
B		71	75	80	86.5
C		23	27	26	30
D1		□19	□19	□25	□25
D2		□19	□19	□22	□22
E1		M8	M8	M10	M10
E2		M8	M8	M10	M10
E3		φ8	φ8	φ8	φ8
F		9	9	10	10
G1		50	50	70	70
G2		100	100	120	120
H		9	9	10	10
I		φ50	φ55	φ65	φ75
J		54	58	69	82
K		44	48	55	64
L		φ6.5	φ6.5	φ8.5	φ8.5
M		24	26	30	40.5
N		16.5	20	25	28
O-Ring		S4	S3	S3	S4
Q		Φ16	Φ16	Φ20	Φ20

RAS空壓轉角缸(FA法蘭型/TB全牙型)RAS Air Swing Clamp Cylinder FA/TB

●氣缸內徑Φ32-Φ63 ●最大操作壓力 7 kg/cm² ●Bore of cylinder (mm):Φ32-Φ63 ●Max pressure: 7 kg/cm²



外形尺寸表 Dimension table

單位 (Unit) :mm

ITEM	MODEL	RAS-FA32 RAS-TB32	RAS-FA40 RAS-TB40	RAS-FA50 RAS-TB50	RAS-FA63
ST:Swing/Clamping		26: 11/15	26: 11/15	30: 13/17	30: 13/17
A1鬆開狀態 Unclamp		108	108	124	124
A2鬆開狀態 Unclamp		(128)	(128)	(150)	(150)
B		78	78	90	90
C1		22	22	25	25
C2		12	12	15	-
D1		□19	□19	□25	□25
D2		□19	□19	□22	□22
E1		M8	M8	M10	M10
E2		Φ8	Φ8	Φ8	Φ8
F		9	9	10	10
G1		50	50	70	70
G2		100	100	120	120
H		9	9	10	10
ΦI1		Φ50	Φ55	Φ65	Φ75
I2		M50 × 1.5	M55 × 1.5	M65 × 1.5	-
J		54	60	69	82
K		44	48	55	64
L		Φ5.6-Φ9 × 5.5D.	Φ6.8-Φ10.5 × 6.5D.	Φ6.8-Φ10.5 × 6.5D.	Φ9-Φ14 × 9D.
M		PT1/8	PT1/8	PT1/8	PT1/8
N		32	40	50	63
T1 × 2PCS		11	11	12	-
T2		Φ70	Φ75	Φ85	-
Q		Φ16	Φ16	Φ20	Φ20

ASR空壓轉角缸 ASR Air Swing Clamp Cylinder

●氣缸內徑Φ25-Φ63 ●最大操作壓力7kg/cm² ●Bore of cylinder (mm):Φ25-Φ63 ●Max pressure: 7kg/cm²



產品簡介

- ◆本產品適用於量產零件之專用機及MC治具，提高生產效率最佳幫手。
- ◆主要功能為空壓缸作動時，活塞下壓行程中壓板會旋轉到設計的角度，再沿着直線繼續下壓直到壓板夾緊工件。
- ◆建議使用空壓轉角缸，請加裝流量控制閥，避免速度過快，以及轉角行程中，請勿夾持工件，導致損壞缸體及內部零件。
- ◆壓板需增加長度時，請勿大于原長度之1.5倍。
- ◆缸體材質採用鋁合金，表面硬膜處理，內壁表面光滑，使用壽命長。

Introduction of product

- ◆ This machine with MC clamp is exclusively to mass-produce spare parts. It is a great helper to raise production efficiency.
- ◆ The clamping arm of this cylinder will swing around the angle when the piston traveling down, and then keep straight on until the clamping arm clamps the work-piece tightly.
- ◆ You had better install a flow control valve to adjust the acting speed, and don't clamping workpiece when the cylinder is running, Otherwise will be easy to damage the body and the spare parts.
- ◆ Please don't exceed 1.5 times of the original length of you need to increase the length of the clamping arm.
- ◆ The cylinder is made of aluminum metal alloy the surface is processed with the hard membrane and the inside of it is smooth. It is long-lived to use.

特性資料 Specification

氣缸內徑 Bore of cylinder(mm)	Φ25	Φ32	Φ40	Φ50	Φ63
活塞杆徑 Bore of piston (mm)	Φ14	Φ16	Φ16	Φ20	Φ20
轉角行程 Swing stroke(mm)	9	11		13	
垂直行程 標準/加長 Clamping stroke (mm) std/incr	13	15/30		17/34	
受壓面積 拉入/推出 Press area pull/push (cm ²)	3.37/4.91	6.03/8.04	10.56/12.57	16.49/19.63	28.03/31.17
理論夾持力 Theoretical clamping 5kg/cm ²	16kg	30kg	50kg	85kg	140kg
使用流體 Fluid	已濾清之壓縮空氣 Filtered air				
使用溫度範圍 Range of temperature	-10~+60°C				
最大耐壓力 Max operation pressure(kg/cm ²)	10kg/cm ²				
使用壓力範圍 Range of pressure (kg/cm ²)	4~7kg/cm ²				
轉角方向 Rotating direction	順時針右轉R或逆時針左轉L Turn right R or turn left L				
轉角角度 Rotating angle	標準角度90° (±2°) 訂做角度0°、45° (±2°)、60° (±2°) Standard angle 90° (±2°), order angle 0°、45° (±2°)、60° (±2°)				
作動方式 Acting type	復動式 Double acting				

訂購標示法 Ordering Code

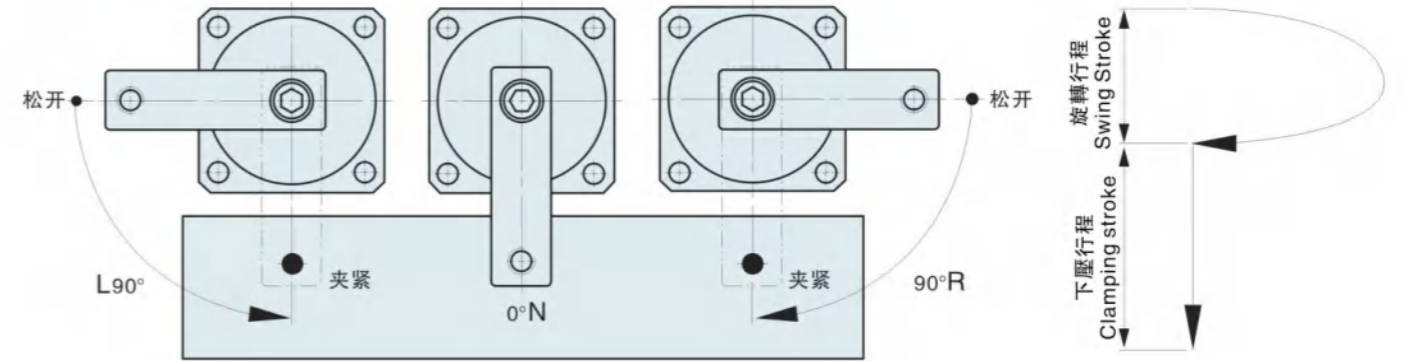


ASR空壓轉角缸 ASR Air Swing Clamp Cylinder

單邊壓板旋轉示意圖

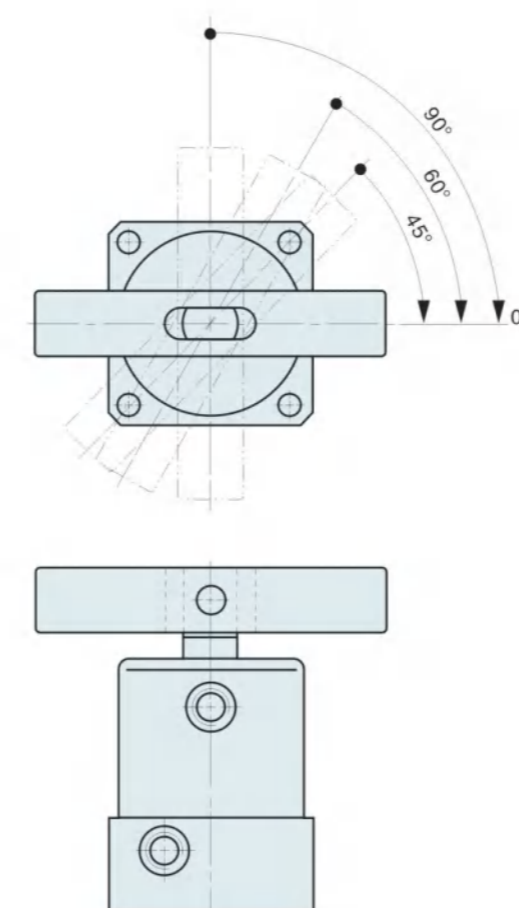
Single Side Swing Clamp

注：轉角方向是指下壓時轉角方向



雙邊壓板旋轉示意圖

Double Side Swing Clamp



壓板鎖緊操作方式

Clamping Arm Mounting Methods



壓板拆卸操作方式

Clamping Arm Removing Methods



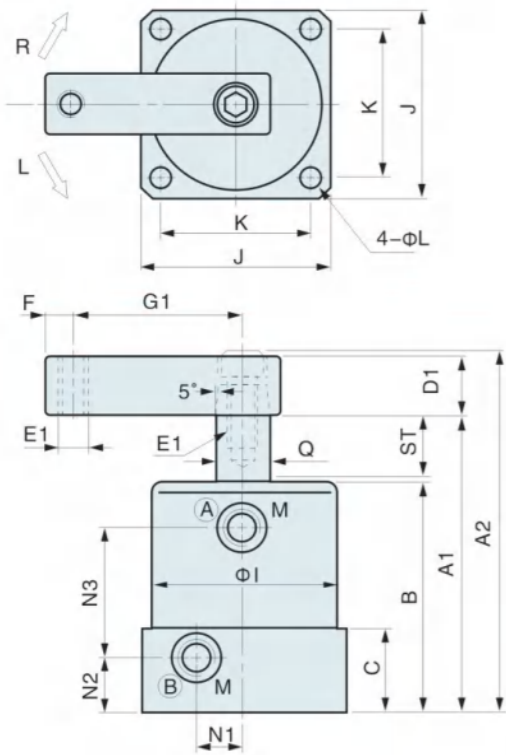
ASR空壓轉角缸(配管式)ASR Air Swing Clamp Cylinder Lin type

●氣缸內徑Φ25-Φ63 ●最大操作壓力7kg/cm² ●Bore of cylinder (mm) : Φ25-Φ63 ●Max pressure:7kg/cm²

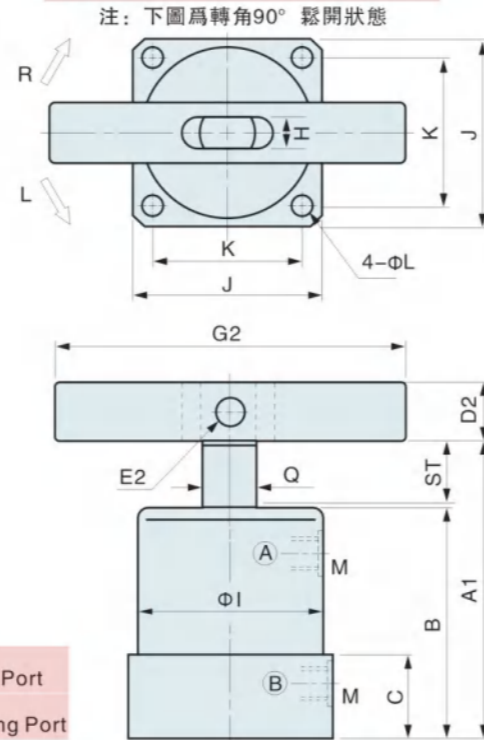
ASR空壓轉角缸(MF深孔型附調速)ASR Air Swing Clamp Cylinder MF Manifold with flow control

●氣缸內徑Φ32-Φ63 ●最大操作壓力7kg/cm² ●Bore of cylinder (mm) : Φ32-Φ63 ●Max pressure: 7 kg/cm²

Single side swing clamp



Double side swing clamp



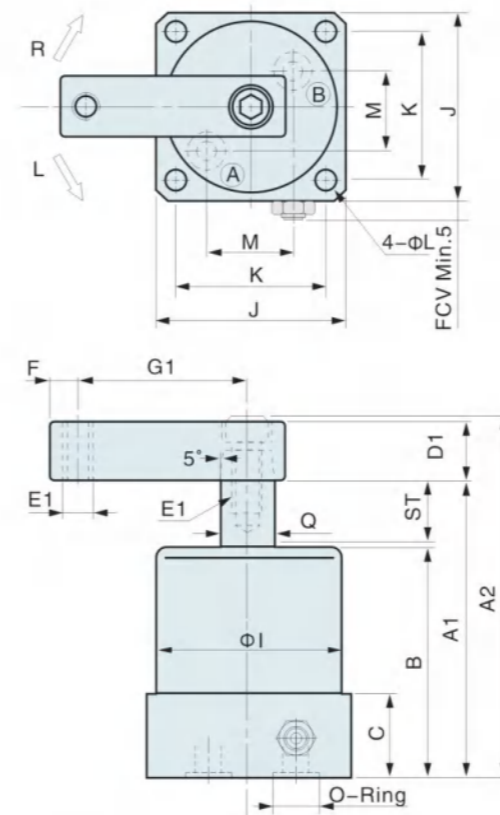
(A) 夾持氣孔
Clamping Port
(B) 放鬆氣孔
Unclamping Port

外形尺寸表 Dimension table

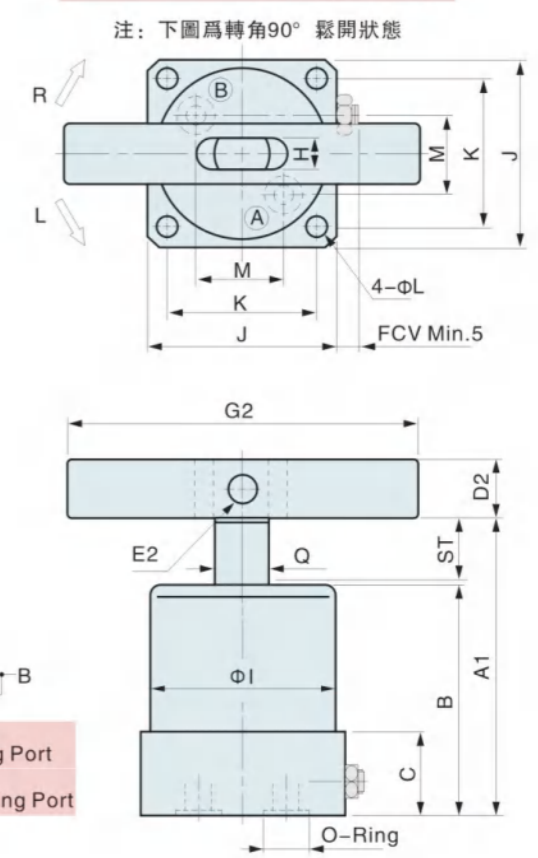
UNIT:mm

ITEM	MODEL	ASR-25	ASR-32	ASR-40	ASR-50	ASR-63
ST:Swing/Clamping		22:9/13	26:11/15	41:11/30	26:11/15	41:11/30
A1鬆開狀態 Unclamp		89	108	138	108	138
A2鬆開狀態 Unclamp		(105.9)	(128)	(158)	(128)	(158)
B		65	78	93	78	93
C		23	28	28	31	31
D1		□16	□19	□19	□25	□25
D2		-	□19	□19	□22	□22
E1		M6×1.0	M8×1.25	M8×1.25	M10×1.5	M10×1.5
E2		-	Φ8	Φ8	Φ8	Φ8
F		6	8	8	10	10
G1		35	50	55	60	70
G2		-	140	140	160	160
H		-	9	9	10	10
ΦI		Φ35	Φ46	Φ55	Φ65	Φ78
J		38	50	60	70	83
K		30	40	48	57	67
L		Φ4.6	Φ5.6	Φ6.8	Φ6.8	Φ9
M		M5×0.8	PT1/8	PT1/8	PT1/8	PT1/8
N1		8	11.5	14	17	20
N2		15	19	19	21	21
N3		37	45	60	46	60
Q		Φ14	Φ16	Φ16	Φ20	Φ20

Single side swing clamp



Double side swing clamp



(A) 夾持氣孔
Clamping Port
(B) 放鬆氣孔
Unclamping Port

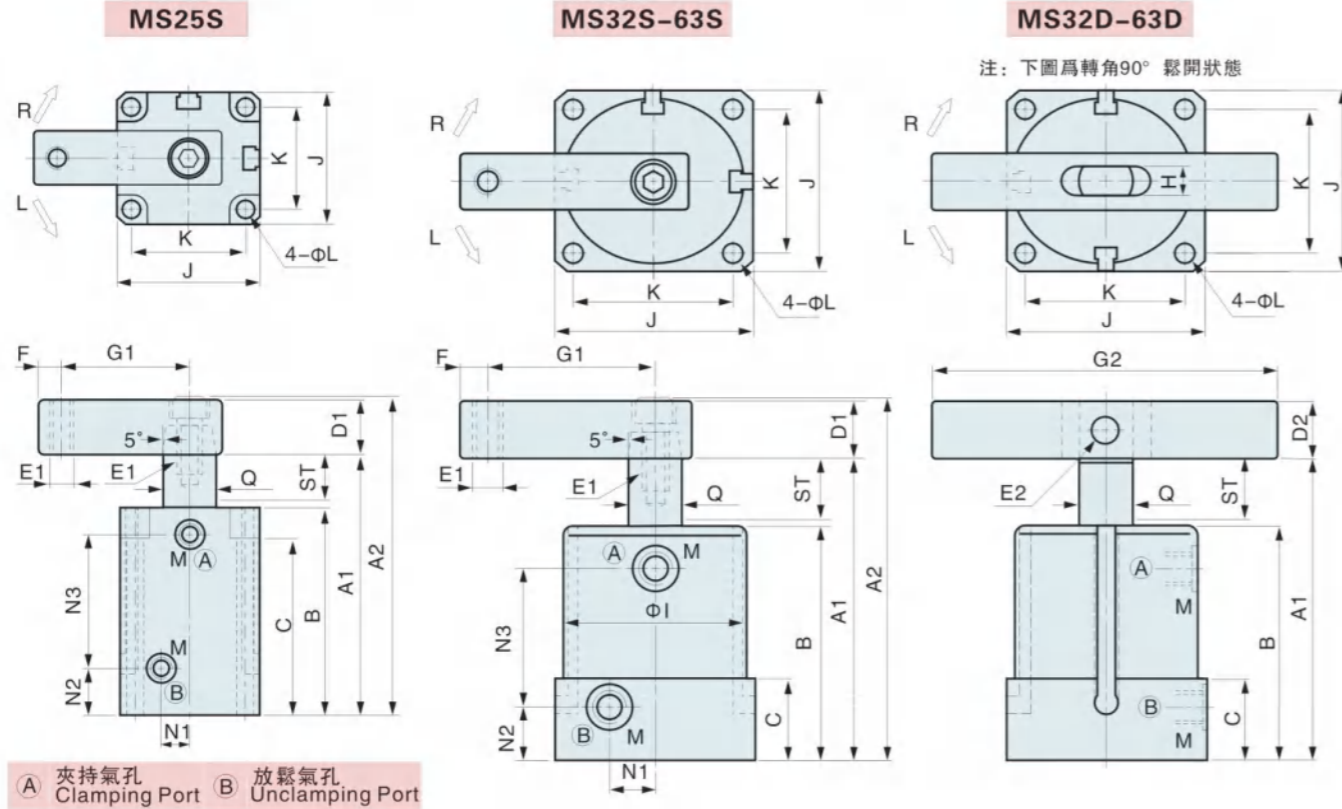
外形尺寸表 Dimension table

UNIT:mm

ITEM	MODEL	ASR-MF32	ASR-MF40	ASR-MF50	ASR-MF63
ST:Swing/Clamping		26:11/15	26:11/15	30:13/17	30:13/17
A1鬆開狀態 Unclamp		108	108	124	124
A2鬆開狀態 Unclamp		(128)	(128)	(150)	(150)
B		78	78	90	90
C		22	22	25	25
D1		□19	□19	□25	□25
D2		□19	□19	□22	□22
E1		M8×1.25	M8×1.25	M10×1.5	M10×1.5
E2		Φ8	Φ8	Φ8	Φ8
F		8	8	10	10
G1		50	55	60	70
G2		140	140	160	160
H		9	9	10	10
ΦI		Φ46	Φ55	Φ65	Φ78
J		50	60	70	83
K		40	48	57	67
L		Φ5.6	Φ6.8	Φ6.8	Φ9
M		19	23	28	32
O-Ring		P7	P7	P9	P9
Q		Φ16	Φ16	Φ20	Φ20

ASR空壓轉角缸(MS感應型)ASR Air Swing Clamp Cylinder MS Magnetic type

●氣缸內徑Φ25-Φ63 ●最大操作壓力7kg/cm² ●Bore of cylinder (mm) : Φ25-Φ63 ●Max pressure: 7kg/cm²

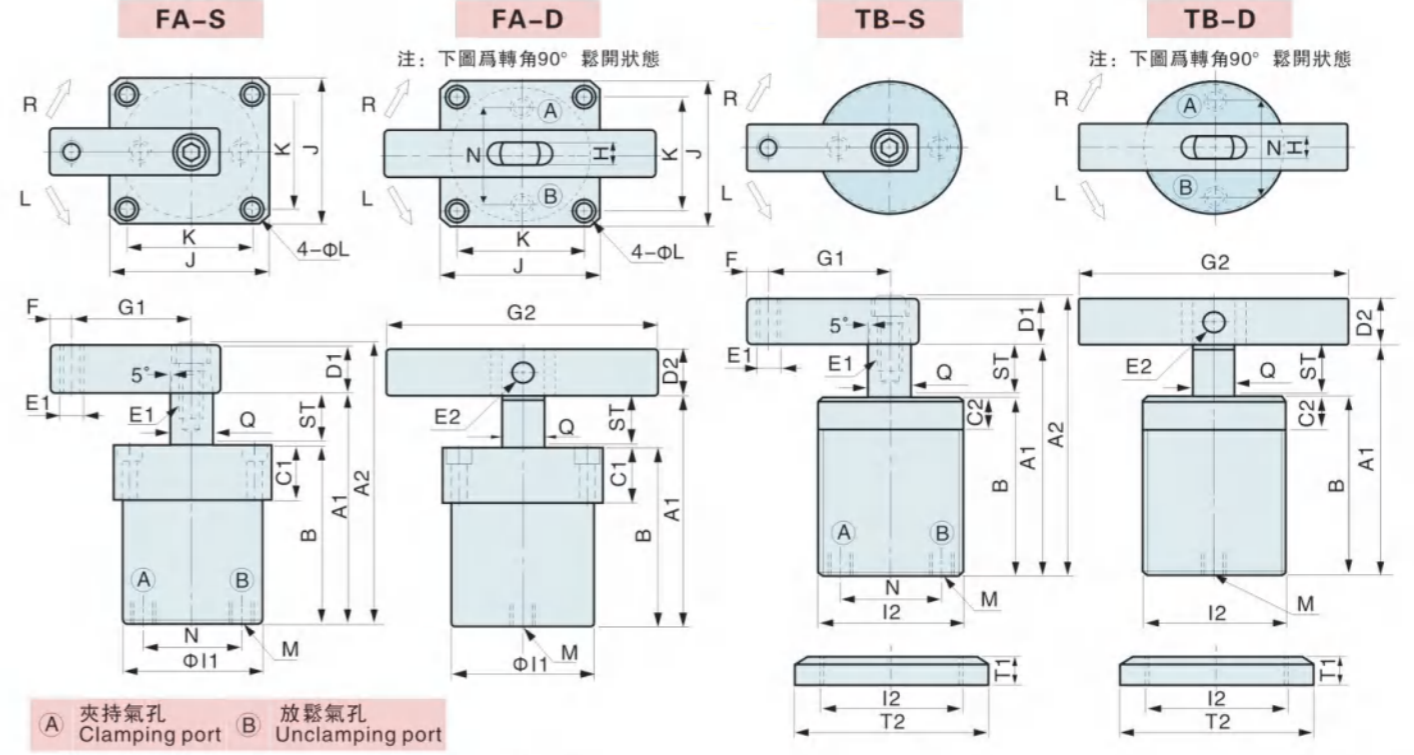


外形尺寸表 Dimension table

ITEM	MODEL	ASR-MS25	ASR-MS32	ASR-MS40	ASR-MS50	ASR-MS63
ST: Swing/Clamping		22:9/13	26:11/15	26:11/15	30:13/17	30:13/17
A1鬆開狀態 Unclamp		94	113	113	129	129
A2鬆開狀態 Unclamp		(110.9)	(133)	(133)	(155)	(155)
B		70	83	83	95	95
C		60	28	28	31	31
D1		16	□19	□19	□25	□25
D2		-	□19	□19	□22	□22
E1		M6×1.0	M8×1.25	M8×1.25	M10×1.5	M10×1.5
E2		-	Φ8	Φ8	Φ8	Φ8
F		6	8	8	10	10
G1		35	50	55	60	70
G2		-	140	140	160	160
H		-	9	9	10	10
ΦI		Φ35	Φ46	Φ55	Φ65	Φ78
J		38	50	60	70	83
K		30	40	48	57	67
L		Φ4.6	Φ5.6	Φ6.8	Φ6.8	Φ9
M		M5×0.8	PT1/8	PT1/8	PT1/8	PT1/8
N1		8	11.5	14	17	20
N2		15	19	19	21	21
N3		42	50	50	59	59
Q		Φ14	Φ16	Φ16	Φ20	Φ20

ASR空壓轉角缸(FA法蘭型/TB全型)ASR Air Swing Clamp Cylinder FA.TB Flange type/Threaded body

●氣缸內徑Φ32-Φ63 ●最大操作壓力7kg/cm² ●Bore of cylinder (mm) : Φ32-Φ63 ●Max pressure: 7kg/cm²



外形尺寸表 Dimension table

ITEM	MODEL	ASR-FA32 ASR-TB32	ASR-FA40 ASR-TB40	ASR-FA50 ASR-TB50	ASR-FA63 ASR-TB63
ST: Swing/Clamping		26: 11/15	26: 11/15	30: 13/17	30: 13/17
A1鬆開狀態 Unclamp		108	108	124	124
A2鬆開狀態 Unclamp		(128)	(128)	(150)	(150)
B		78	78	90	90
C1		22	22	25	25
C2		12	12	15	-
D1		□19	□19	□25	□25
D2		□19	□19	□22	□22
E1		M8×1.25	M8×1.25	M10×1.5	M10×1.5
E2		Φ8	Φ8	Φ8	Φ8
F		8	8	10	10
G1		50	55	60	70
G2		140	140	160	160
H		9	9	10	10
ΦI1		Φ46	Φ55	Φ65	Φ78
ΦI2		M50×1.5	M55×1.5	M65×1.5	-
J		50	60	70	83
K		40	48	57	67
L		Φ5.6-Φ9×5.5D.	Φ6.8-Φ10.5×6.5D.	Φ6.8-Φ10.5×6.5D.	Φ9-Φ14×9D.
M		PT1/8	PT1/8	PT1/8	PT1/8
N		32	40	50	63
T1×2PCS		11	11	12	-
T2		Φ70	Φ75	Φ85	-
Q		Φ16	Φ16	Φ20	Φ20

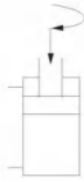
●氣缸內徑Φ25-Φ63 ●最大操作壓力7kg/cm² ●Bore of cylinder (mm) : Φ25-Φ63 ●Max pressure: 7kg/cm²

產品簡介

- ◆主要功能為夾緊工裝，所有的壓縮空氣通過法蘭孔進出。
- ◆空壓缸缸體為鋁合金材料，並進行了發黑處理，表面熱處理增加了耐磨性。
- ◆法蘭的上表面有四個用於安裝的螺絲孔。
- ◆活塞杆與工裝用圓螺母連接。
- ◆壓板需增加長度時，請勿大於原長度之1.5倍。

Introduction of product

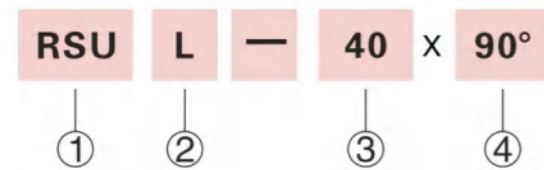
- ◆This product main for clamp in fixture, compressed-air in and out through the hole on flange.
- ◆Aluminum alloy body Blackening, Surface heat-treatment for product good wear-resisting.
- ◆The top of flange have four screwholes for installation.
- ◆Round nuts link the Piston rod and fixture.
- ◆When you need to increase the length of the clamping arm, please don't exceed 1.5 times of the original length.



特性資料 Specification

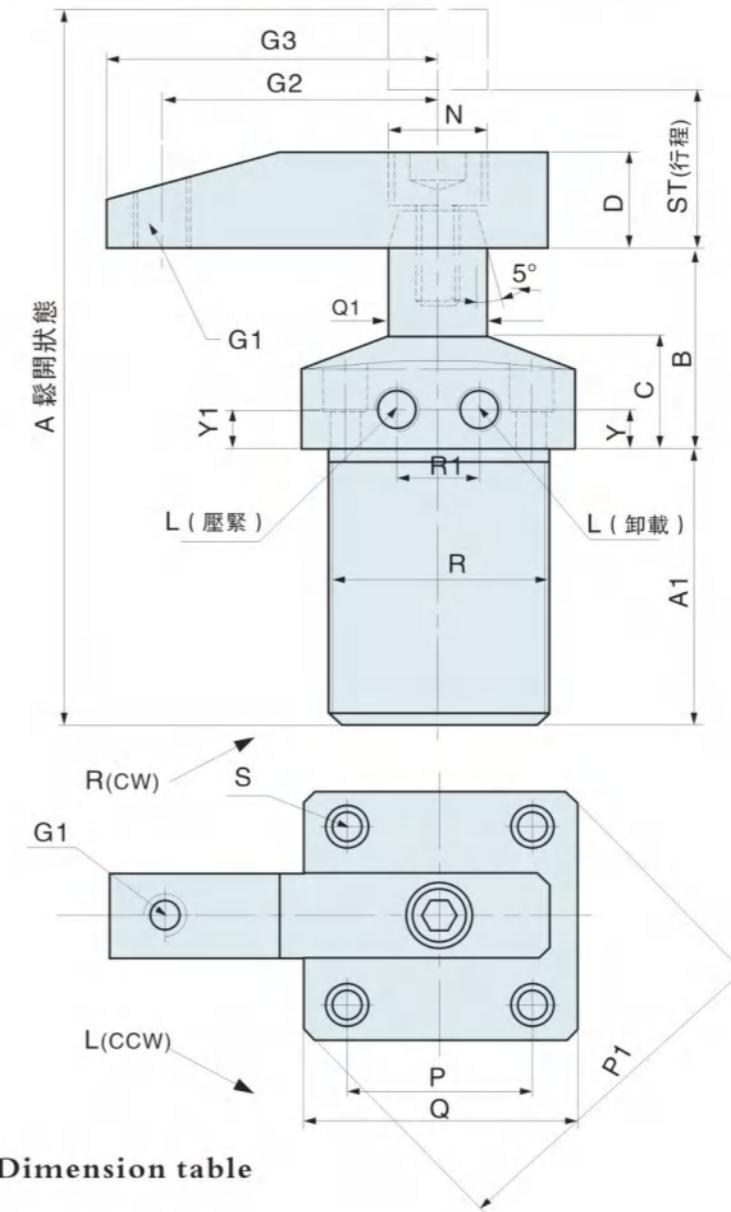
氣缸類型	Type	RSU-25	RSU-32	RSU-40	RSU-50	RSU-63
氣缸內徑	Bore of cylinder (mm)	Φ25	Φ32	Φ40	Φ50	Φ63
活塞杆徑	Bore of piston (mm)	Φ14	Φ16	Φ16	Φ20	Φ20
轉角行程	Swing stroke (mm)	13	16	15	17	15
垂行程	Clamping stroke (mm)	14	14	15	15	15
受壓面積拉入/推出	Pressure area pull/push cm ²	3.4/4.91	6.04/8.04	10.56/12.57	16.49/19.63	28.03/31.17
理論夾持力	Theoretical clamping 5kg/cm ²	16kg	30kg	50kg	85kg	140kg
使用流體	Fluid	已濾清之壓縮空氣 Filtered air				
使用溫度範圍	Range of temperature	-10~+60°C				
最大耐壓力	Max operation pressure (kg/cm ²)	10kg/cm ²				
使用壓力範圍	Range of pressure (kg/cm ²)	4~7kg/cm ²				
轉角方向	Rotating direction	順時針右轉R或逆時針左轉L Turn right R or Turn left L				
轉角角度	Rotating angle	標準角度90° (±2°) 訂做角度0°、45° (±2°)、60° (±2°) Standard angle 90° (±2°), order angle 0°、45° (±2°)、60° (±2°)				
作動方式	Acting type	復動式 Double acting				

訂購標示法 Ordering Code



① 系列號 Series	RSU
② 轉角方向 Rotating direction	右轉R或左轉L Turn right R or turn left L
③ 氣缸內徑 Bore of cylinder	Φ25, Φ32, Φ40, Φ50, Φ63
④ 轉角角度 Rotating angle	標準角度Standard angle 90° 訂做角度 order angle 0°, 45°, 60°

●氣缸內徑Φ25-Φ63 ●最大操作壓力7kg/cm² ●Bore of cylinder (mm) : Φ25-Φ63 ●Max pressure: 7kg/cm²



Dimension table

外形尺寸表

單位 (Unit) : mm

ITEM	ST	A	A1	B	C	D	G1	G2	G3	L	N	P	P1	Q	R	R1	S	Y	Y1	Q1
MODEL																				
RSU-25	27	134.5	61.5	30	25	16x16	M6	50	56	M5	M8	37	66	50	M40x1.5	20	φ5.5	14.5	11.5	Φ14
RSU-32	30	152.5	72.5	30	25	19x19	M8	60	69	PT1/8	M8	45	80	60	M50x1.5	22	φ6.5	13	10.5	Φ16
RSU-40	30	152.5	72.5	30	25	19x19	M8	70	79	PT1/8	M8	50	87	65	M55x1.5	26	φ6.5	13	10.5	Φ16
RSU-50	32	166	79	30	25	25x25	M12	80	90	PT1/8	M10	58	100	75	M65x1.5	32	φ8.5	11	10.5	Φ20
RSU-63	30	165	80	30	25	25x25	M12	90	100	PT1/8	M10	70	118	90	M80x1.5	35	φ8.5	11	10.5	Φ20

●氣缸內徑 Φ32-Φ63 ●最大操作壓力7kg/cm² ●Bore of cylinder (mm) : Φ32-Φ63 ●Max pressure: 7kg/cm²

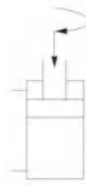
●氣缸內徑 Φ32-Φ63 ●最大操作壓力7kg/cm² ●Bore of cylinder (mm) : Φ32-Φ63 ●Max pressure: 7kg/cm²

產品簡介

- ◆本產品有缸徑Φ32-Φ63四種，為復動式；標準轉角角度是90°，可訂做的角度是0°，45°，60°。
- ◆氣缸的總行程等于它的轉角行程和壓緊行程的總和。
- ◆壓緊的方法有單臂和雙臂兩種。
- ◆缸體的材料是鋁合金。
- ◆壓板需增加長度時，請勿大于原長度之1.5倍。

Introduction of product

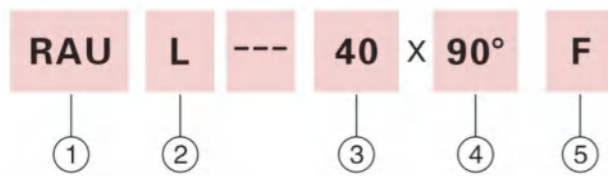
- ◆Available in Φ32, Φ40, Φ50, Φ63 four sizes. This swing cylinder belongs to double acting type. Standard angles is 90°, and order angles including 0°, 45°, 60°.
- ◆The total stroke is equal to the sum of a swing stroke and a clamping stroke, and is usually used within the clamping stroke.
- ◆The type of clamping includes single side swing clamp and double side swing clamp.
- ◆This material of the main body is aluminum alloy.
- ◆When you need to increase the length of the clamping arm, please don't exceed 1.5 times of the original length.



特性資料 Specification

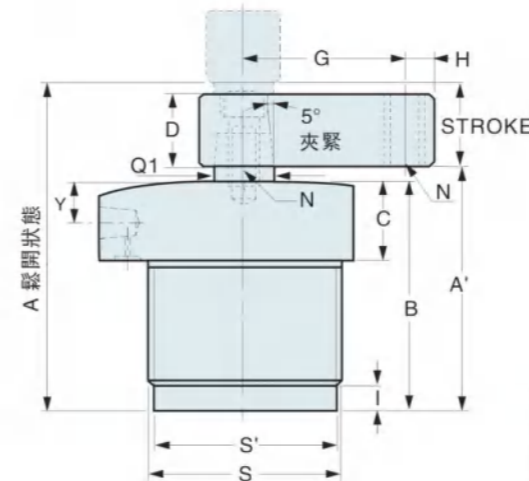
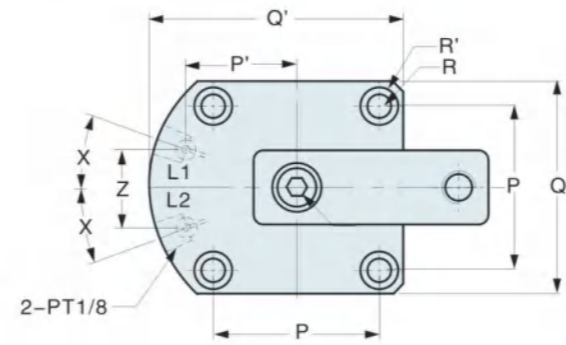
氣缸內徑	Bore of cylinder (mm)	Φ32	Φ40	Φ50	Φ63
活塞杆徑	Bore of piston (mm)	Φ20	Φ20	Φ20	Φ25
轉角行程	Swing stroke (mm)	14			
垂直行程	Clamping stroke (mm)	15			
受壓面積拉入/推出	Pressure area pull/push cm ²	4.9/8.04	9.43/12.57	16.49/19.63	26.6/31.17
理論夾持力	Theoretical clamping 5kg/cm ²	25kg	47kg	85kg	130kg
使用流體	Fluid	已濾清之壓縮空氣 Filtered air			
使用溫度範圍	Range of temperature	-10~+60°C			
最大耐壓力	Max operation pressure (kg/cm ²)	10kg/cm ²			
使用壓力範圍	Range of pressure (kg/cm ²)	4-7kg/cm ²			
轉角方向	Rotating direction	順時針右轉R或逆時針左轉L Turn right R or Turn left L			
轉角角度	Rotating angle	標準角度90° (±2°) 訂做角度0°、45° (±2°)、60° (±2°) Standard angle 90° (±2°), order angle 0°, 45° (±2°), 60° (±2°)			
作動方式	Acting type	復動式Double acting			

訂購標示法 Ordering Code



① 系列號 Series	RAU(單臂), RAUD(雙臂)
② 轉角方向 Rotating direction	右轉R或左轉L Turn right R or turn left L
③ 氣缸內徑 Bore of cylinder	Φ32, Φ40, Φ50, Φ63
④ 轉角角度 Rotating angle	標準角度Standard angle 90° 訂做角度 order angle 0°, 45°, 60°
⑤ 附調速 with flow control	

Single side swing clamp

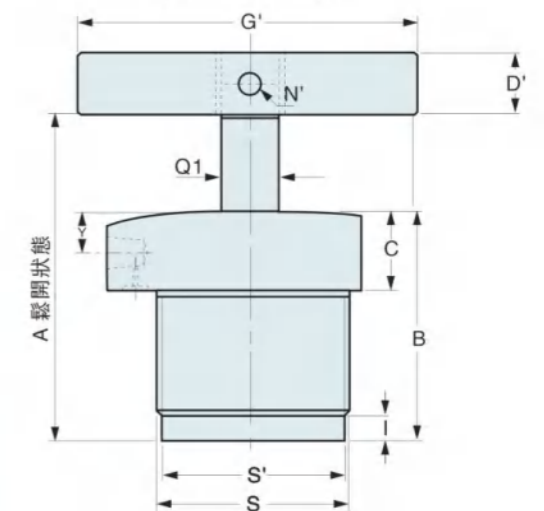
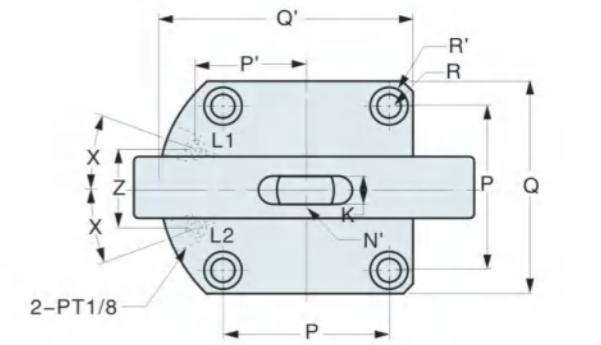


NAU

L1 夾持氣孔 Clamping Port
L2 放鬆氣孔 Unclamping Port

Double side swing clamp

注：下圖為轉角90° 鬆開狀態



NAUD

外形尺寸表 Dimension table

單位 (Unit) :mm

ITEM MODEL	ST	A	A'	B	C	D	G	H	I	N	P/P'	Q/Q'	R/R'	S	S'	X	Y	Z	Q1
RAU-32	29	111	82	76	25	25	55	10	9	M10×1.5	44/30	56/69	Φ6.5/Φ10.5	M50x1.5	Φ48	22.5°	12.5	24.9	Φ20
RAU-40	29	113.6	84.6	80	27	25	55	10	9	M10×1.5	48/31.4	62/71.5	Φ6.5/Φ10.5	M55x1.5	Φ53	22.5°	14	26	Φ20
RAU-50	29	114.5	85.5	80	27	25	55	10	9	M10×1.5	57/37.6	74/87	Φ8.5/Φ14	M65x1.5	Φ63	20°	14	27.4	Φ20
RAU-63	29	118	89	85	32	32	75	11	9	M12×1.75	70/46	88/105.5	Φ11/Φ16.5	M80x1.5	Φ77	22.5°	19	38	Φ25

ITEM MODEL	ST	A	A'	B	C	D'	G'	I	K	N'	P/P'	Q/Q'	R/R'	S	S'	X	Y	Z	Q1
RAUD-32	29	111	82	76	25	22	120	9	10	Φ8	44/30	56/69	Φ6.5/Φ10.5	M50x1.5	Φ48	22.5°	12.5	24.9	Φ20
RAUD-40	29	113.6	84.6	80	27	22	120	9	10	Φ8	48/31.4	62/71.5	Φ6.5/Φ10.5	M55x1.5	Φ53	22.5°	14	26	Φ20
RAUD-50	29	114.5	85.5	80	27	22	120	9	10	Φ8	57/37.6	74/87	Φ8.5/Φ14	M65x1.5	Φ63	20°	14	27.4	Φ20
RAUD-63	29	118	89	85	32	25	140	9	12	Φ10	70/46	88/105.5	Φ11/Φ16.5	M80x1.5	Φ77	22.5°	19	38	Φ25

RSB空壓塊狀轉角缸 RSB PneumatiC Swing Clamp Block version

●氣缸內徑Φ25-Φ63 ●最大操作壓力7kg/cm² ●Bore of cylinder (mm) : Φ25-Φ63 ●Max pressure: 7kg/cm²



產品簡介

- ◆設計簡單，結構緊湊，重量輕，壽命長以及較高的夾持力使它成爲一種完美的夾具。
- ◆本產品有可加裝感應器
- ◆可任意選擇上面和下面及側面安裝。
- ◆壓板需增加長度時，請勿大于原長度之1.5倍。

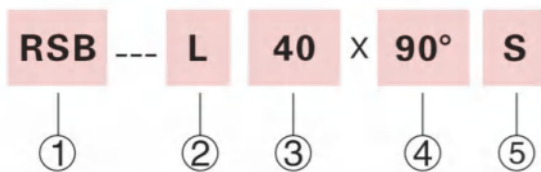
Introduction of product

- ◆This product is perfect , Design in brief ,the structure is compact , the weight is light ,the service life is long and holding capacity is strong.
- ◆You can install an inductor on this product if you need.
- ◆Fixing from top , base or the side of cylinder is ok.
- ◆When you need to increase the length of the clamping arm , please don't exceed 1.5 times of the original length.

特性資料 Specification

氣缸內徑	Bore of cylinder(mm)	Φ25	Φ32	Φ40	Φ50	Φ63
活塞杆徑	Bore of piston (mm)	14	16	16	20	20
轉角行程	Swing stroke(mm)	13	16	15	17	15
垂直行程	Clamping stroke (mm)	14		15		
受壓面積拉入/推出	Pressure area pull/push cm ²	3.37/4.9	6.03/8.03	10.56/12.56	16.48/19.62	28.01/31.15
理論夾持力	Theoretical Clamping(5kg/cm ²)	16(kg)	30(kg)	50(kg)	80(kg)	140(kg)
使用流體	Fluid	已濾清之壓縮空氣 Filtered air				
使用溫度範圍	Range of temperature	-10~+60℃				
最大耐壓力	Max operathon pressure(kg/cm ²)	10kg/cm ²				
使用壓力範圍	Range of pressure (kg/cm ²)	4---7kg/cm ²				
轉角方向	Rotating direction	順時針右轉R或逆時針左轉L Turn right R or Turn left L				
轉角角度	Rotating angle	標準角度90° (±2°)訂做角度0°、45° (±2°)、60° (±2°) Standard angle 90° (±2°),order angle 0°、45° (±2°)、60° (±2°)				
作動方式	Acting type	復動式 Double acting				

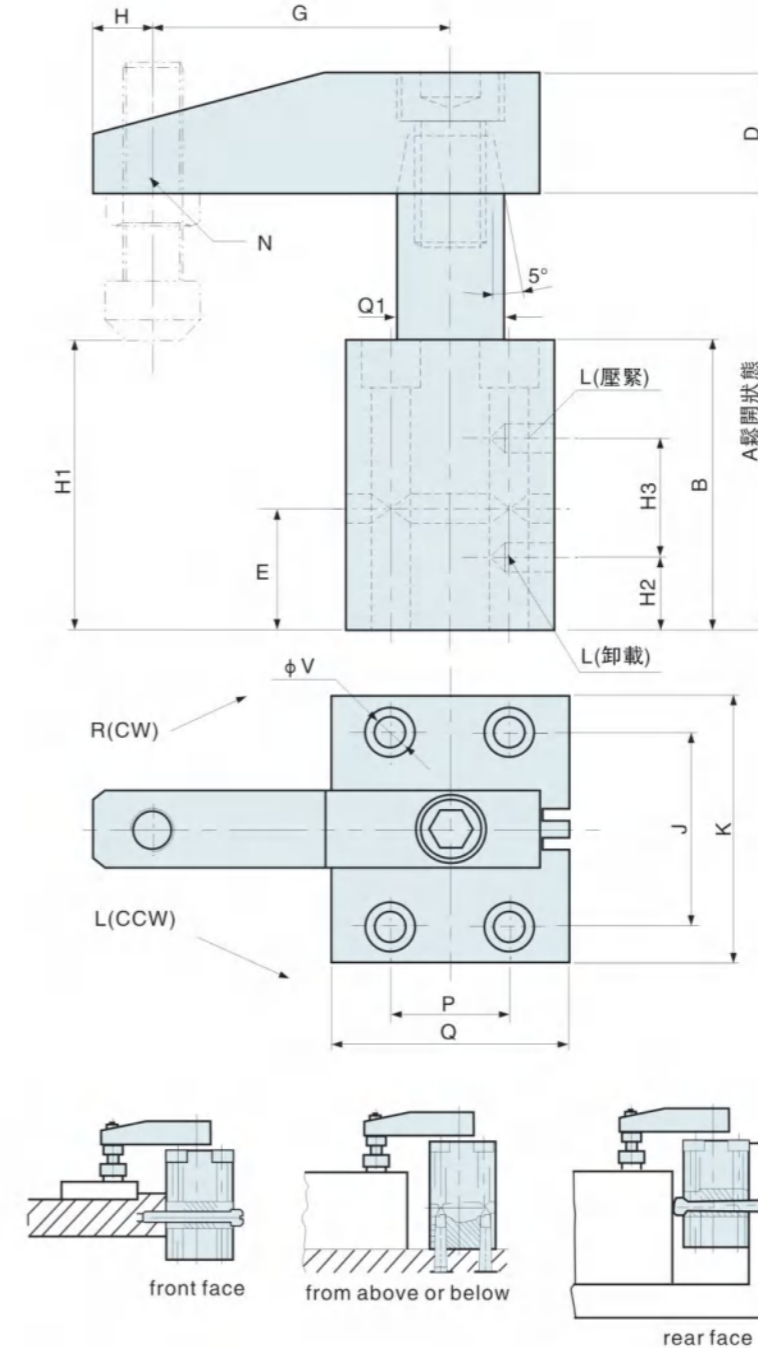
訂購標示法 Ordering Code



①	系列號 Series	RSB
②	轉角方向 Rotating direction	右轉R或左轉L Turn right R or turn left L
③	氣缸內徑 Bore of cylinder	Φ25, Φ32, Φ40, Φ50, Φ63
④	轉角角度 Rotating angle	標準角度 Standard angle 90°
⑤	近接開關 Sensor switch	S1:1個 S2:2個 1Pcs of S1 2Pcs of S2

RSB空壓塊狀轉角缸 RSB PneumatiC Swing Clamp Block version

●氣缸內徑Φ25-Φ63 ●最大操作壓力7kg/cm² ●Bore of cylinder (mm) : Φ25-Φ63 ●Max pressure: 7kg/cm²



外形尺寸表 Dimension table

ITEM	A	B	D	G	H	E	H1	H2	H3	J	K	L	N	P	Q	ϕV	ϕ1
MODEL																	
RSB-25	109	78	16x16	50	6	32	57-65	14.5	47.5	40	55	M5×0.8	M6x1	20	35	Φ6.5	Φ14
RSB-32	126	90	19x19	60	9	43	60-73	21	51.5	45	60	PT1/8	M8x1.25	30	45	Φ6.5	Φ16
RSB-40	126	90	19x19	70	9	40	60-73	22	49	52	70	PT1/8	M8x1.25	37	55	Φ8.5	Φ16
RSB-50	137	100	25x25	80	10	45	55-75	25	53.5	66	85	PT1/8	M12x1.75	46	65	Φ8.5	Φ20
RSB-63	137	100	25x25	90	10	36	55-75	20.5	56.5	80	100	PT1/8	M12x1.75	60	80	Φ10.5	Φ20