

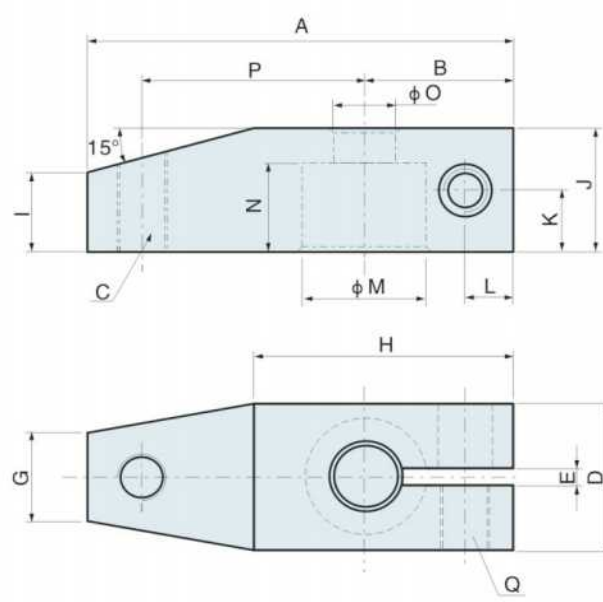
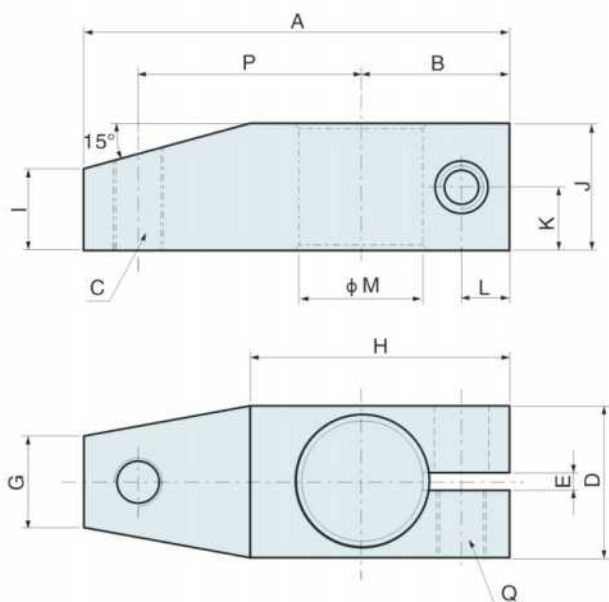
RK30/40/50壓臂外形尺寸及規格 RK30/40/50 Arm Dimension And Specification

單位 (Unit) : mm

型號 Type		030(SL)/040(ST)/050(SU)			
		單 動 Single acting		復 動 Double acting	
		LS/RS-92	LS/RS-202	LD/RD-92	LD/RD-202
A		86	106	86	106
B		30	36	30	36
C	英制	----	1/2-13UNC	----	1/2-13UNC
	公制	M10*1.5	M12*1.75	M10*1.5	M12*1.75
D		38	48	38	48
E		3.5	3.5	3.5	3.5
G		18	25	18	25
H		45	60	45	60
I		16	21	16	21
J		25	32	25	32
K		10.5	14	10.5	14
L		9.75	11	9.75	11
M		Φ25	Φ32	Φ25	Φ32
N		----	----	18	----
O		----	----	Φ12.5	----
P		45	55	45	55
Q		M10*1.5	M12*1.75	M10*1.5	M12*1.75

單 動 Single acting

復 動 Double acting

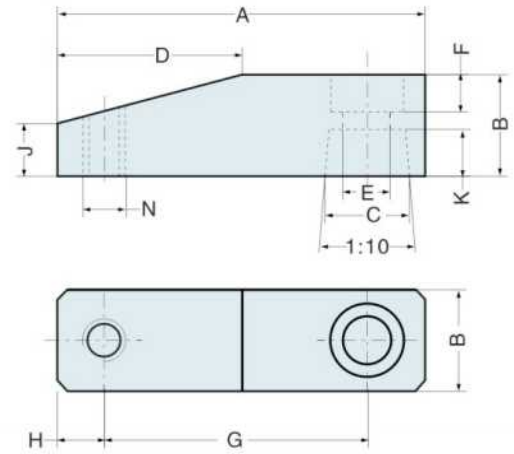


壓臂尺寸 Manifold Type Cylinders

RAS 空壓轉角缸單臂尺寸

RAS Air swing clamp cylinder single arm dimension 單位 (Unit) :mm

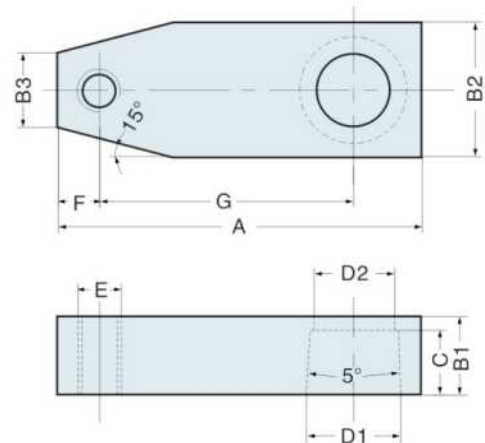
ITEM	MODEL	RAS-25	RAS-32	RAS-40	RAS-50	RAS-63
A		48	70	70	95	95
B		16	19	19	25	25
C		Φ14	Φ16	Φ16	Φ20	Φ20
D		28	35	35	47.5	47.5
E		Φ7	Φ9	Φ9	Φ11	Φ11
F		6	7	7	9	9
G		30	50	50	70	70
H		8	9	9	10	10
J		8	9.8	9.8	17	17
K		6	9	9	12	12
N		M6	M8	M8	M10	M10



RS 油壓轉角缸單臂 尺寸

RS Hydraulic swing clamp cylinder single arm dimension 單位 (Unit) :mm

ITEM	MODEL	RS-25	RS-32	RS-40	RS-50	RS-63
A	標準型攻牙 Standard With thread	74	81	86	96	114
	標準型無牙 Standard without thread	74	81	86	96	114
	加長型無牙 Extension	100	110	120	130	150
B1		16	18	18	20	23
B2		27	31	31	37	48
B3		15	17	17	19	24
C		13	14	15	16	18
D1		Φ18	Φ20	Φ22.4	Φ28	Φ35.5
D2		Φ15	Φ17	Φ19	Φ21	Φ25
E		M10×1.5	M10×1.5	M10×1.5	M12×1.75	M16×2.0
F		10	10	10	12	15
G		50	55	60	65	75

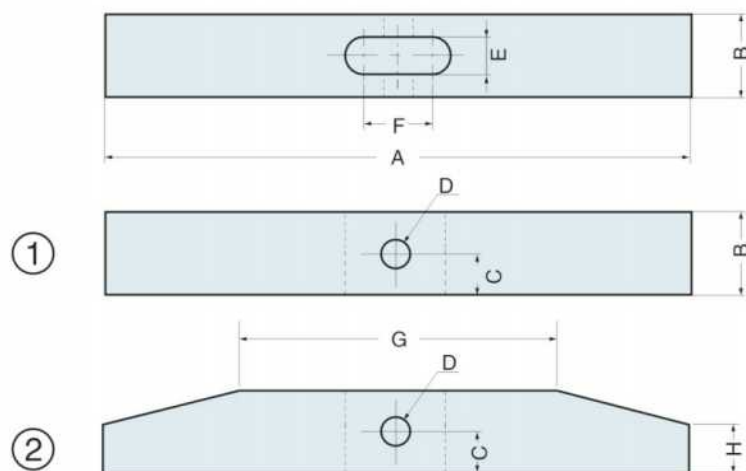


壓臂尺寸 Manifold Type Cylinders

RAS 空壓轉角缸雙臂尺寸

RAS Air swing clamp cylinder double arm dimension 單位 (Unit) :mm

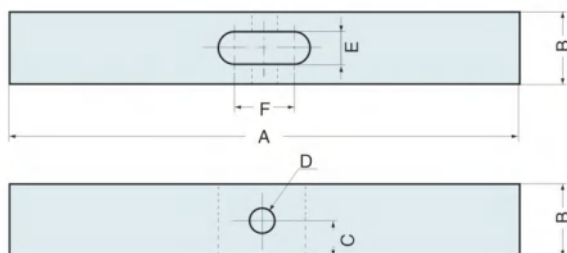
ITEM	MODEL	RAS-25D	RAS-32D	RAS-40D	RAS-50D	RAS-63D
A		100	100	100	120	120
B		□19	□19	□19	□22	□22
C		9.5	9.5	9.5	11	11
D		Φ6	Φ8	Φ8	Φ8	Φ8
E		9	9	9	10	10
F		21	21	21	25	25
G		40	40	40	50	50
H		9.8	9.8	9.8	9.8	9.8



RS/HSC 油壓轉角缸雙臂尺寸

RS/HSC hydraulic swing clamp cylinder double arm dimension 單位 (Unit) :mm

ITEM	MODEL	RS/HSC-25D	RS/HSC-32D	RS/HSC-40D	RS/HSC-50D	RS/HSC-63D
A	標準型 Extension	140	160	160	180	200
	加長型 Stand	200	230	230	260	—
B		□19	□22	□22	□25	□32
C		9.5	11	11	12.5	16
D		Φ8	Φ8	Φ10	Φ12	Φ15
E		9	10	10	12	15
F		16	19	21	26	33

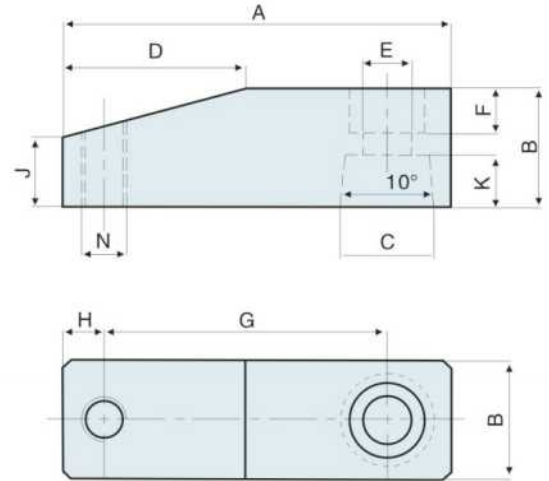


壓臂尺寸 Manifold Type Cylinders

RNS/RNTS 油壓缸壓臂尺寸

RNS/RNTS Hydraulic swing clamp cylinder arm dimension 單位 (Unit) :mm

MODEL ITEM	RNS-25 RNTS-25	RNS-32 RNTS-32	RNS-40 RNTS-40	RNS-50 RNTS-50	RNS-63 RNTS-63
A	74	80	80	80	103
B	25×25	25×25	25×25	30×30	32×32
C	Φ18	Φ20	Φ20	Φ25	Φ25
D	37	47.5	47.5	47.5	48.5
E	Φ11	Φ11	Φ11	Φ11	Φ13
F	9	9	9	9	12
G	50	55	55	55	75
H	10	10	10	10	11
J	17	17	17	17	19
K	12	12	12	12	14
N	M10	M10	M10	M10	M12



RNSD/RNTSD 油壓缸壓臂尺寸

RNSD/RNTSD Hydraulic swing clamp cylinder arm dimension 單位 (Unit) :mm

MODEL ITEM	RNSD-25 RNTSD-25	RNSD-32 RNTSD-32	RNSD-40 RNTSD-40	RNSD-50 RNTSD-50	RNSD-63 RNTSD-63
A	100	120	120	120	140
B	19×19	22×22	22×22	22×22	25×25
C	9.5	11	11	11	12.5
D	Φ8	Φ8	Φ8	Φ8	Φ10
E	9	10	10	10	12
F	21	25	25	25	30
G	40	50	50	50	60
H	9.8	9.8	9.8	9.8	9.8

